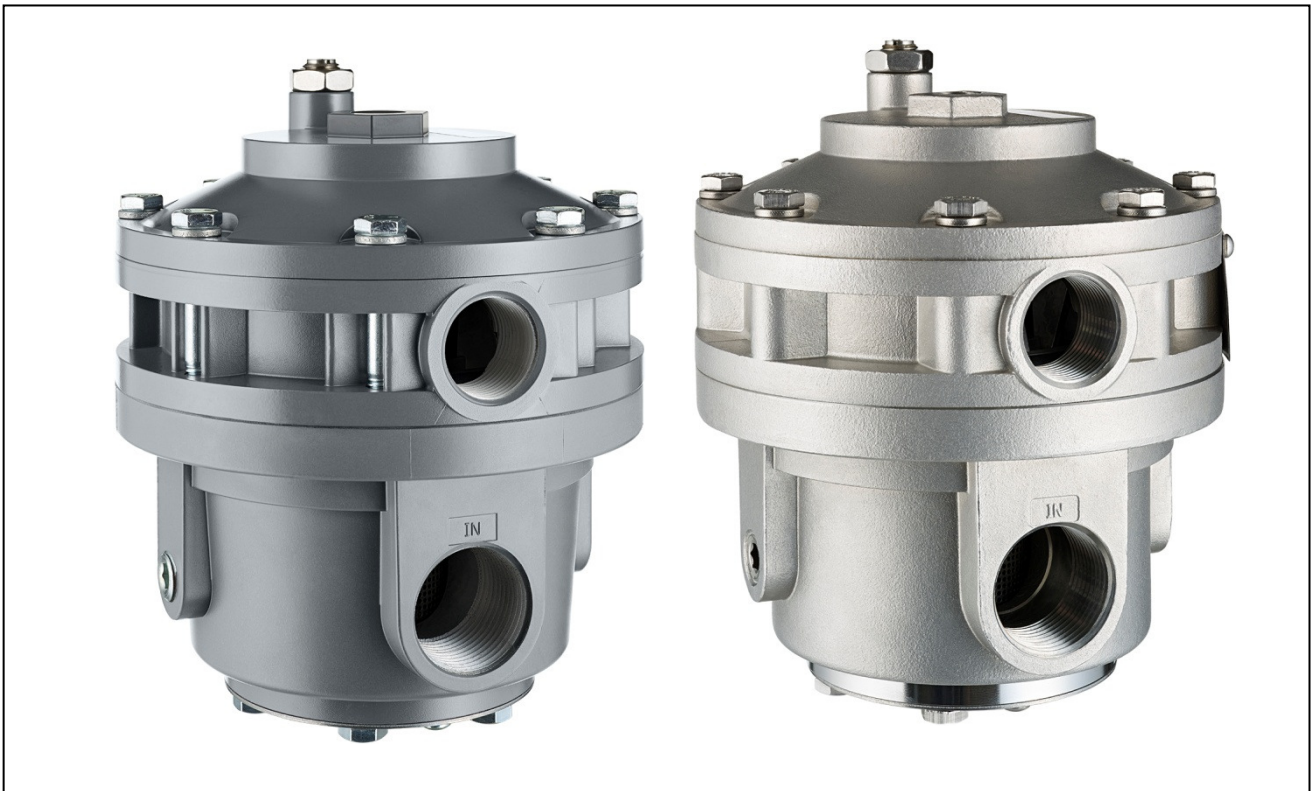


VBS300 / VBS310 – VOLUME BOOSTER SERIES



The VBS300 Volume Booster Series is designed to operate pneumatic valve actuators via a valve positioner. It is recommended for large actuators to reduce positioning time. Volume boosters with Cv 5 and pneumatic connection 1", for remote mounting. VBS300 in Aluminum, VBS310 in Stainless Steel 316. The bypass valve is used to adjust dynamic response to provide stable operation over a wide range of actuator sizes.

FEATURES

- Booster for control and ON/OFF actuators / valves
- Particularly adapted for PST and Anti Surge applications
- Heavy Duty Aluminum or Stainless Steel housing
- Adjustable precision Bypass Valve
- Booster controlled by valve positioner and / or by a solenoid operated valve
- Compatible with the full Range of Foxboro valve positioners SRP981, SRI986, SRI983, SRI990, SRD991, SRD960, SRD998, and IP converter IP26
- Exhaust with internal thread 3/4-14 NPT for connection of an Exhaust Silencer or to be connected to a tube system for exhaust collection



*Equipment should be installed, operated, serviced, and maintained only by qualified personnel.
No responsibility is assumed by Schneider Electric for any consequences arising from the use of this material.*

SPECIFICATIONS

	VBS300	VBS310
Max. Supply Pressure	17 bar / 250 psig	
Max. Signal/Output Pressure	10 bar / 150 psig (controlled by positioner)	
Flow Capacity (Cv) Input	Cv 7	
Flow Capacity (Cv) Exhaust	Cv 5	
Signal/Output Pressure Ratio	1:1	
Housing material	Aluminum	Stainless Steel 316
Diaphragm material	Nitrile	
Supply/Output Connection	1" NPT	
Signal Connection	1/4 NPT	
Ambient Temperature	-40°C to 93°C / -40°F to 200°F	
Weight	2.95 kg / 6.5 lbs	6.8 kg / 15 lbs
Mounting type	remote from Positioner	

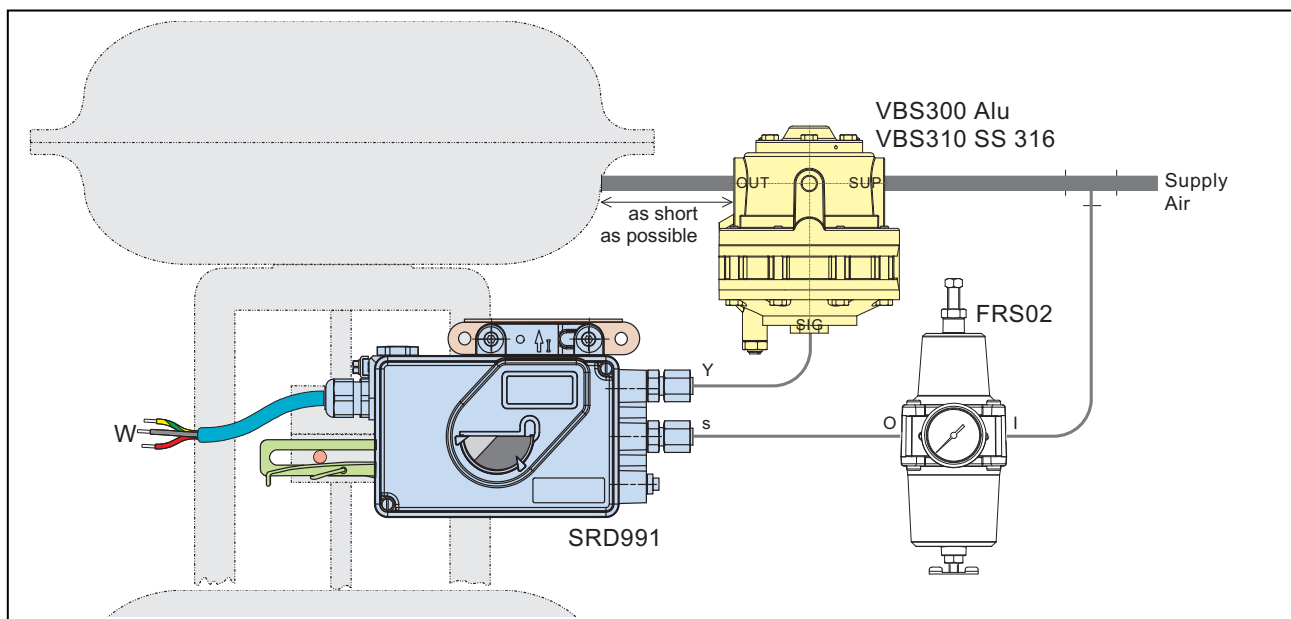
Noise The use of Silencer is strongly recommended. Operator should always wear ear protection.

MODEL CODES VBS300 / VBS310

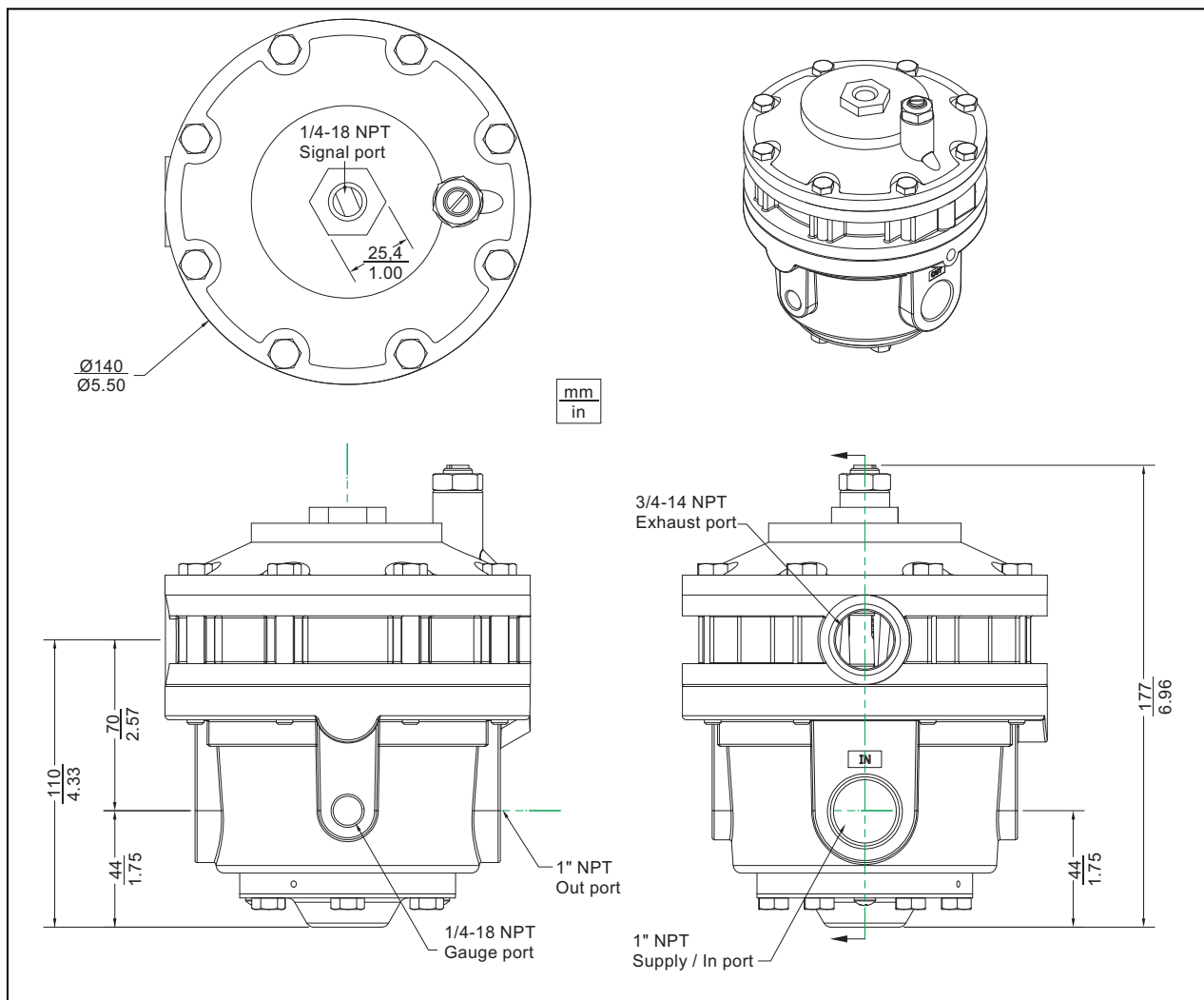
271017

Volume Booster	VBS			
Flow Capacity				
Cv 5		3		
Body Material				
Aluminum			0	
Stainless Steel 316			1	
Connection				
G thread				-G
NPT thread				-N
Option - Accessories				
With Silencer (Exhaust noise damper)				S

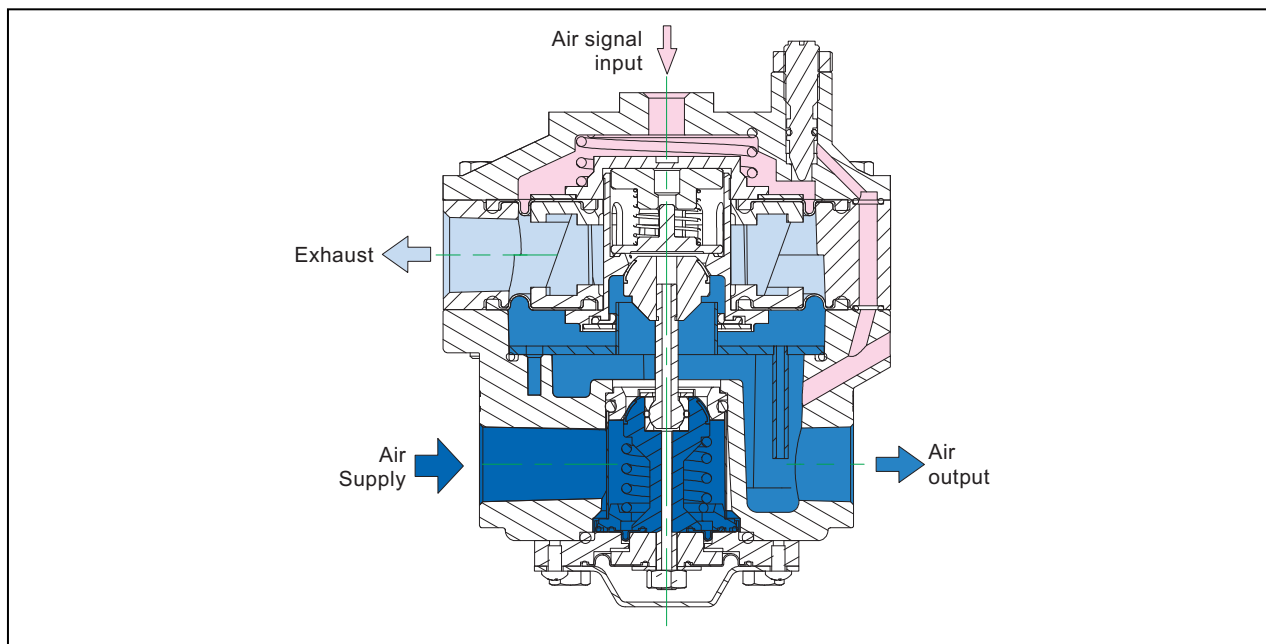
APPLICATION



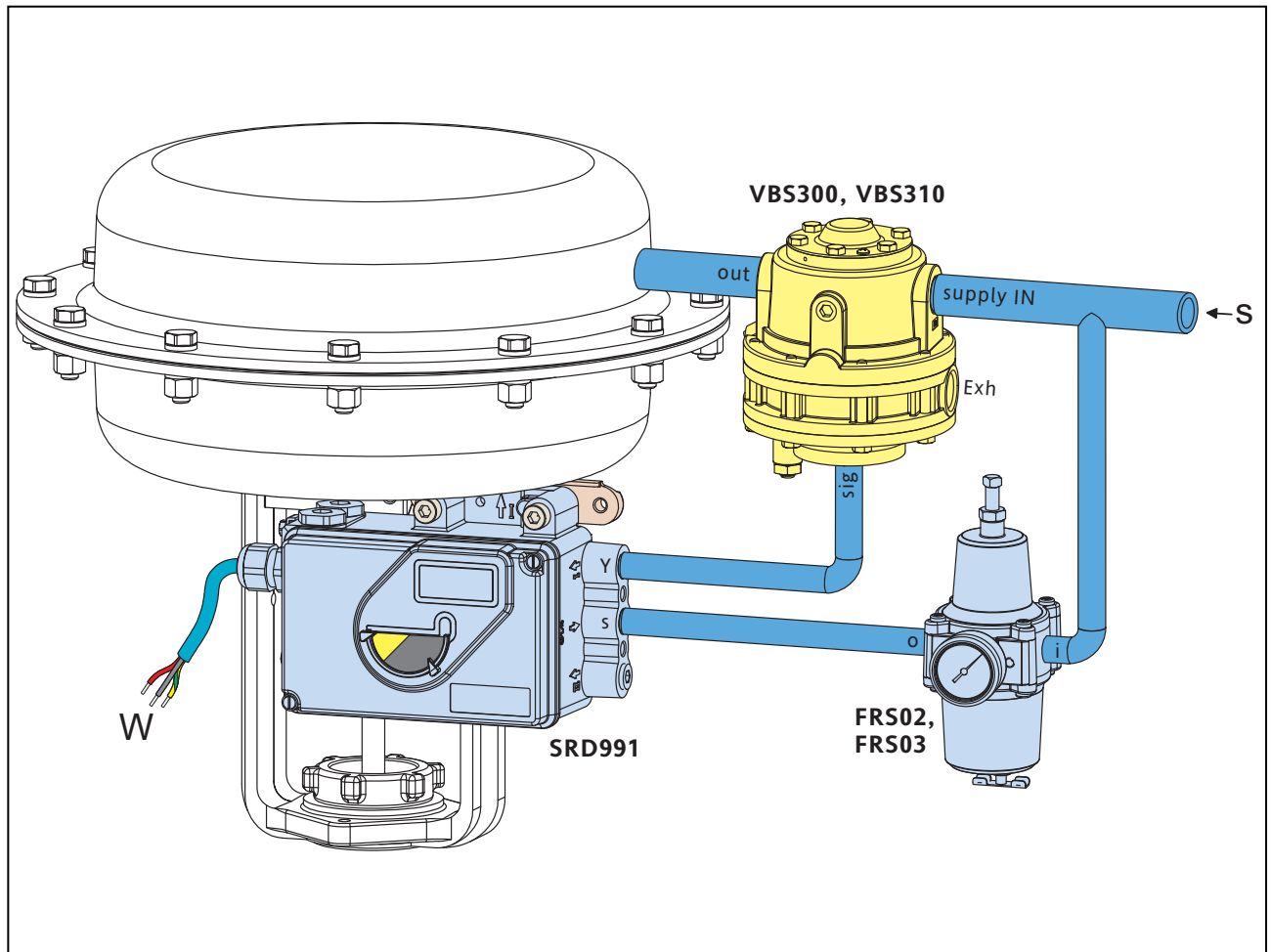
DIMENSIONS AND CONNECTIONS



FUNCTIONAL DRAWING



EXAMPLE FOR MOUNTING



Schneider Electric Systems USA, Inc.
38 Neponset Avenue
Foxboro, MA 02035
United States of America
<http://www.schneider-electric.com>

Global Customer Support
Inside U.S.: 1-866-746-6477
Outside U.S.: 1-508-549-2424

<https://pasupport.schneider-electric.com>

Copyright 2010-2019 Schneider Electric Systems USA, Inc. All rights reserved.

Schneider Electric is a trademark of Schneider Electric Systems USA, Inc., its subsidiaries, and affiliates. All other trademarks are the property of their respective owners.