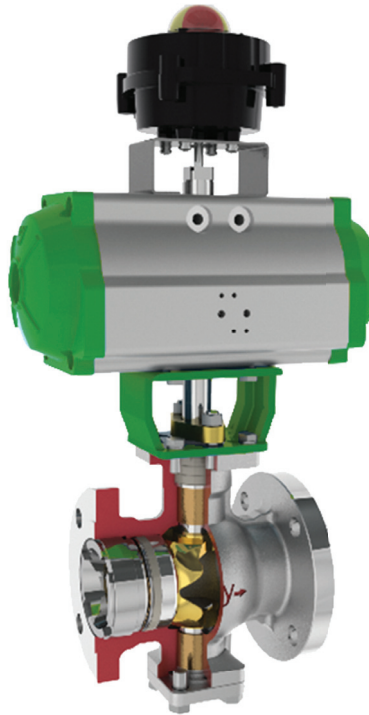


**VTX90 V-Notch Ball Valve**



**FEATURES**

- ▶ V-Notch Ball Sizes 1" (DN25) through 20" (DN500)
- ▶ Stem Guides are located in the machined main valve body to ensure proper alignment, reduced leakage point, and to ensure stem seals are free from operating loads
- ▶ Bolted Packing Box for high integrity packing
- ▶ Seat Rings are made from 304 SS/316 SS with PTFE or Stellite Hard Facing
- ▶ Blowout Proof Stems with additional double guide for reduced torque
- ▶ Tight Shutoff to ANSI/FCI 70-2 Class IV or Class V for Metal Sealing and Class VI for Soft Sealing
- ▶ Materials to NACE MR0103/MR0175 are available
- ▶ DIN and PN flanges available

*Equipment should be installed, operated, serviced, and maintained only by qualified personnel.  
No responsibility is assumed by Schneider Electric for any consequences arising from the use of this material.*

## KEY COMPONENTS OF THE V-BALL VALVES

Figure 1. Key Components

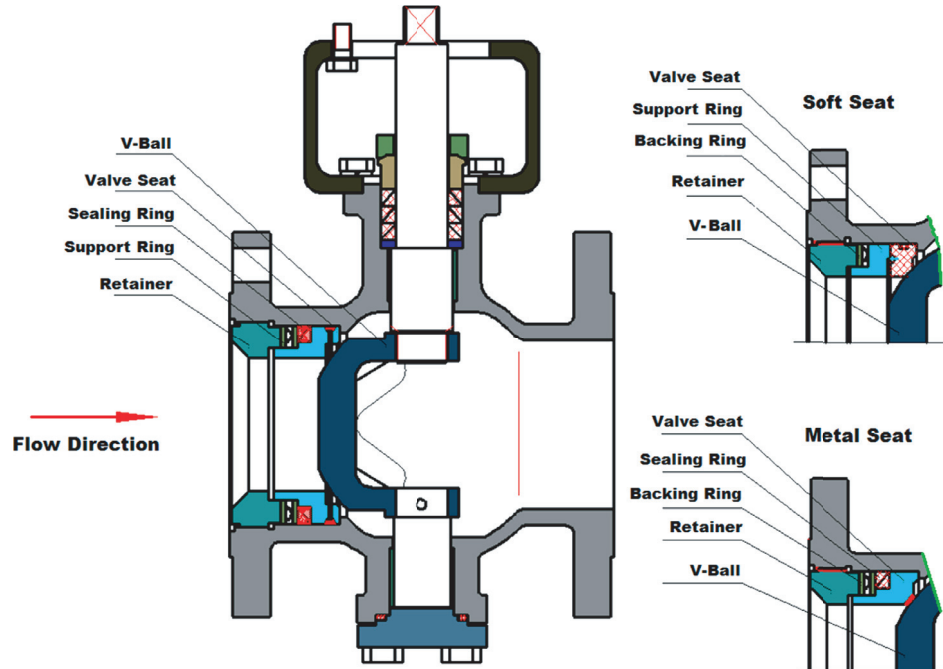


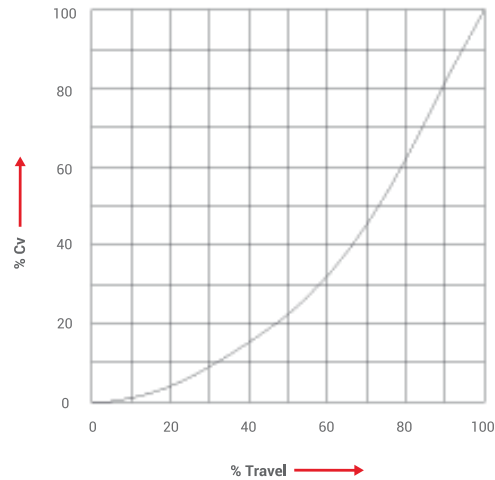
Table 1. Key Components

Type	Straight Through, V-Ball Valve
Body Size	1" to 20" (DN25 to DN500)
Characteristics, Trim Form	Modified Equal Percentage
Pressure Classes	Class 150-300
Body Connections	ASME B16.5, RF Flanged
Face to Face Dimensions	JIS 2002-2000 1" (DN25) to 6" (DN150)
Packing	PTFE V-RING, GRAPHITE RING

## PERFORMANCE DATA

### Flow Data

Figure 2. Flow Characteristics Curve



NOTES:  
For sizes and ratings not shown, contact the factory

### Cv Table

Table 2. Valve Cv's

Valve Size DN/Inches	25/ 1"	40/ 1.5"	50/ 2"	65/ 2.5"	80/ 3"	100/ 4"	125 5"	150/ 6"	200/ 8"	250/ 10"	300/ 12"	350/ 14"	400/ 16"	500/ 20"
Seat Diameter mm	15	33	40	53	66	85	104	128	170	212	255	300	340	400
Cv	19	57	105	164	263	430	700	1105	1800	2808	4563	7196	11,400	15,210

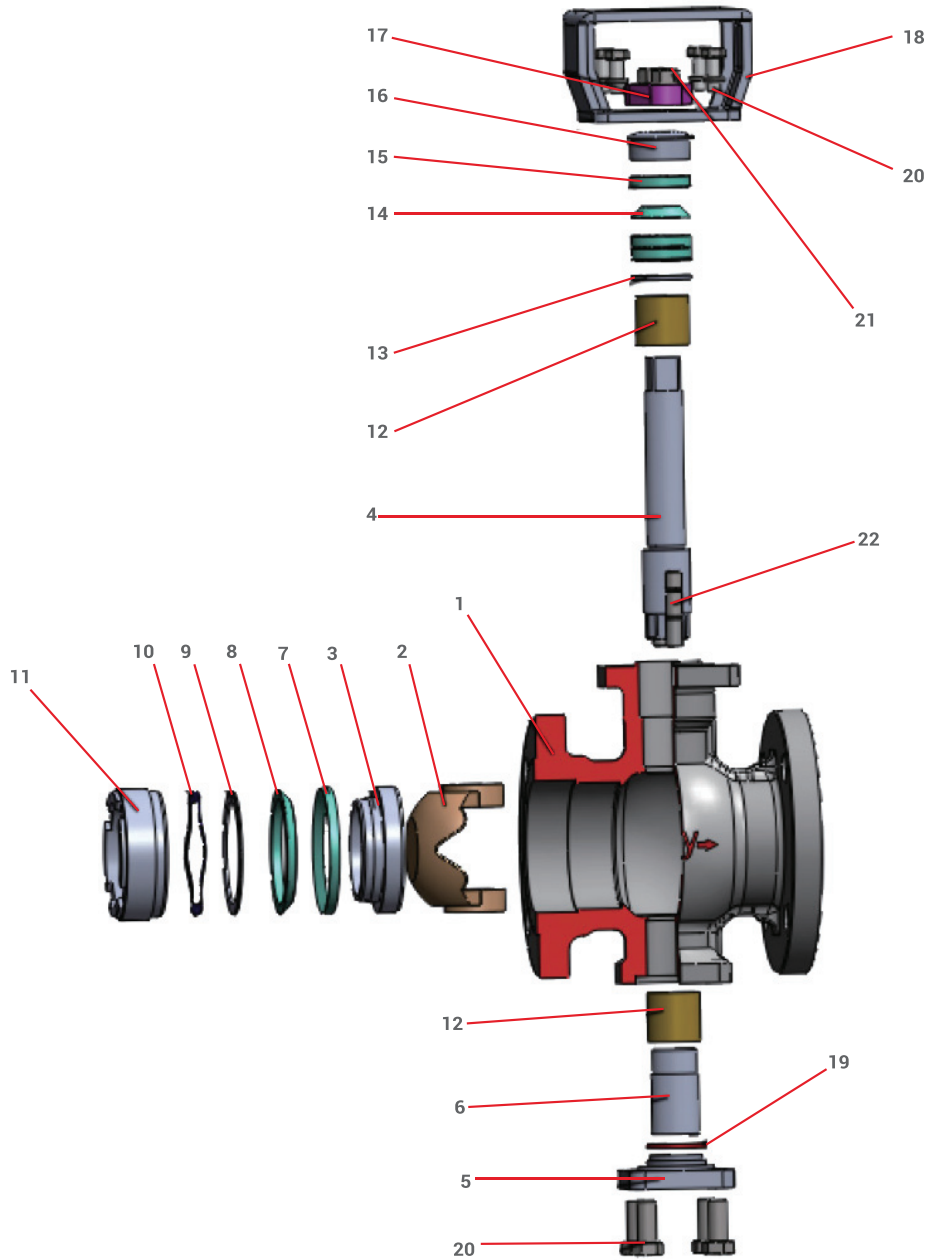
### Valve Torque Requirements

Table 3. Valve Torque Requirements

DN (mm) /Inches		25/ 1"	40/ 1.5"	50/ 2"	65/ 2.5"	80/ 3"	100/ 4"	125 5"	150/ 6"	200/ 8"	250/ 10"	300/ 12"	350/ 14"	400/ 16"	500/ 20"
Class 150	N-m	25	30	40	124	153	176	305	420	553	829	1036	1900	2300	2800
	in-lb	221	266	354	1097	1354	1558	2699	3717	4894	7337	9169	16816	29537	24782
Class 300	N-m	30	60	99	185	265	365	580	995	1310	1890	2264	2884	3500	4200
	in-lb	266	531	876	1637	2345	3231	5133	8806	11594	16728	20038	25526	30978	37173

VALVE ASSEMBLY  
Exploded View

Figure 3. Stainless Steel



## Valve Assembly Materials List

Table 4. Valve Materials

Number	Part	Material
1	Body	See Table 5
2	Ball	See Table 5
3	Seat Ring	See Table 5
4	Main Shaft	See Table 5
5	Valve Cover	Equal to Body Material
6	Counter Shaft	See "Dimensions and Weights" on page 7
7	Inner Seal Ring	Reinforced Rubber, PTFE, Graphite
8	Outer Seal Ring	Reinforced Rubber, PTFE, Graphite
9	Seal Ring Retainer	304 SS, 316 SS
10	Wave Spring	17-7PH
11	Retainer	304 SS, 316 SS
12	Guide	SF-1, High Nickel Cast Iron
13	Packing Spacer	316 SS
14	Lower Packing	PTFE, Graphite
15	Upper Packing	PTFE, Graphite
16	Packing Follower	316 SS
17	Packing Gland	304 SS
18	Bracket	Carbon Steel
19	Spiral Gasket	Grafoil®/316
20	Bolts	B7, B8M
21	Packing Nuts	2H, 8M
22	Packing Studs	B7, B8M
<p><b>Notes:</b></p> <ol style="list-style-type: none"> <li>Optional materials are available. Consult factory.</li> <li>Pressure boundary components are supplied to ASTM standards.</li> <li>Valve internal materials are supplied to ASTM/JIS/DIN/GB standards.</li> <li>Compliance to NACE is available to MR0103 or MR0175/ISO15156.</li> </ol>		

**MATERIALS OF CONSTRUCTION**

**Valve Materials**

**Table 5. Valve Component Temperature Ratings**

<b>Body</b>	Material	WCB -29°C ~ 427°C (-20°F ~ 800°F)	CF8, CF8M -29°C ~ 530°C (-20°F ~ 986°F)	
	Material	CF8, CF8M -29°C ~ 530°C (-20°F ~ 986°F)		
<b>Ball</b>	Treatment	Soft Seat, Solution Anneal	Hard Seat, Nitriding	
	Material	17-4pH (≤300°C/572°F)	316 SS	
<b>Shaft</b>	Treatment	Hardened	Nitrided	
	Type	Soft Seat	H <sub>1</sub> (Nor-Temp Hard Seat) -29°C ~ 200°C (-20°F ~ 392°F)	H <sub>2</sub> (Hi-Temp Hard Seat) 200°C ~ 530°C (392°F ~ 986°F)
<b>Seat</b>	Material Treatment	PTFE -29°C ~ 200°C (-20°F ~ 392°F)	304 SS, 316 SS, Stellite® -29°C ~ 530°C (-20°F ~ 986°F)	
			304 SS+Nickel, 316 SS+Nickel HF -29°C ~ 530°C (-20°F ~ 986°F)	
<b>Seating Ring</b>	Upper + Lower Pressure Ring	Reinforced Rubber	PTFE	Graphite
	Temperature Range	-29°C ~ +150°C -20°F ~ 302°F	-29°C ~ +2000°C -20°F ~ 392°F	-29°C ~ +530°C -20°F ~ 986°F
<b>Guide</b>	Material	SF-1 -29°C ~ 180°C (-20°F ~ 356°F)	High nickel Iron 180°C ~ 5300°C (356°F ~ 986°F)	
<b>Shut-Off</b>	Soft Seat	ANSI/FCI 70-2 Class VI		
	Metal Seat	ANSI/FCI 70-2 Class IV or Class V		

**NOTES:**

1. The VTX90 V-Ball is a segmented ball with a shaped V-notch on the ball for an equal percentage characteristic and high rangeability control.
2. The V-shaped notch and seat provides a positive shearing action for services with fibers in suspension.
3. A variety of trim options varying from soft seat, hardened trim, or high temperature materials are available.

## DIMENSIONS AND WEIGHTS

### Sizes 1" - 20" (DN25-DN500), Class 150-300

Figure 4. Outline Dimensions for Sizes 1"-20" (DN25-DN500), Class 150-300

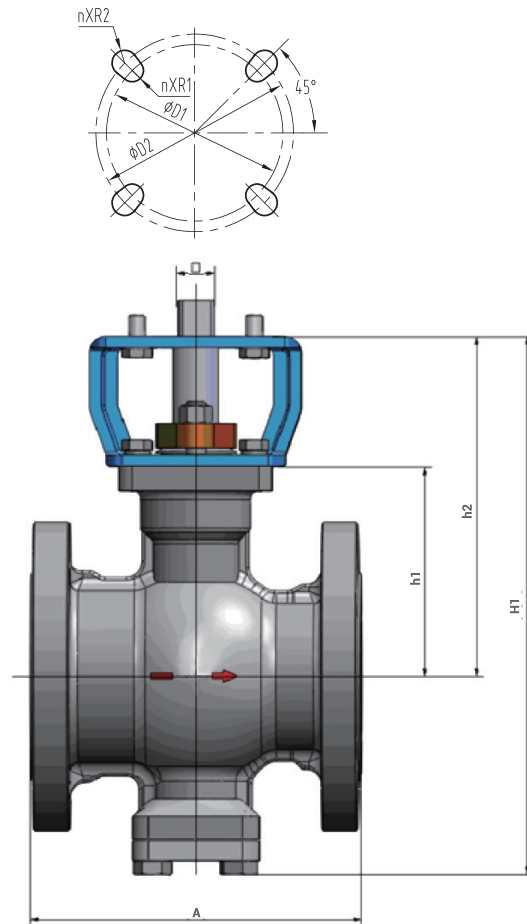


Table 6. Class 150 Valve Body Assembly and Actuator Interface

Valve Size (a)		Outline Dimensions																Weight	
		A		h1		h2		H1		□		Φ D1		nXR1	Φ D2		nXR2		
DN mm	inch	mm	inch	mm	inch	mm	inch	mm	inch	mm	inch	mm	inch	mm	mm	inch	mm	kg	lb
25	1"	127	5.00	73	2.9	118	4.6	176	6.9	11	0.43	50	1.97	4XR4	70	2.76	4XR5	3.6	8
40	1.5"	165	6.50	90	3.5	150	5.9	233	9.2	17	0.67	70	2.76	4XR5	102	4.02	4XR6	8	18
50	2"	178	7.00	100	3.9	160	6.3	254	10.0	17	0.67	70	2.76	4XR5	102	4.02	4XR6	10.5	23
65	2.5"	190	7.50	120	4.7	200	7.9	320	12.6	22	0.87	102	4.02	4XR6	125	4.92	4XR7	16.5	36
80	3"	203	8.00	130	5.1	210	8.3	332	13.1	22	0.87	125	4.92	4XR7	140	5.51	4XR9	26.6	59
100	4"	229	9.00	138	5.4	228	9.0	369	14.5	22	0.87	125	4.92	4XR7	140	5.51	4XR9	41.7	92
125	5"	254	10.00	174	6.9	264	10.4	435	17.1	27	1.06	140	5.51	4XR9	165	6.50	4XR11	55	121
150	6"	267	10.50	190	7.5	280	11.0	465	18.3	27	1.06	140	5.51	4XR9	165	6.50	4XR11	94.4	208
200	8"	419	16.50	232	9.1	322	12.7	546	21.5	27	1.06	165	6.50	4XR11	--	--	--	123	271
250	10"	457	18.00	305	12.0	415	16.3	705	27.8	42	1.65	165	6.50	4XR11	--	--	--	145	319
300	12"	502	19.75	332	13.1	442	17.4	762	30.0	42	1.65	165	6.50	4XR11	--	--	--	165	363
350	14"	572	22.50	393	15.5	--	--	--	--	--	--	--	--	--	--	--	--	--	--
400	16"	610	24.00	420	16.5	--	--	--	--	--	--	--	--	--	--	--	--	--	--
500	20"	711	28.00	540	21.3	--	--	--	--	--	--	--	--	--	--	--	--	--	--

a. For sizes and ratings not shown, consult Global Customer Support.

Table 7. Class 300 Valve Body Assembly and Actuator Interface

Valve Size (a)		Outline Dimensions																Weight	
		A		h1		h2		H1		□		Φ D1		nXR1	Φ D2		nXR2		
DN mm	inch	mm	inch	mm	inch	mm	inch	mm	inch	mm	inch	mm	inch	mm	mm	inch	mm	kg	lb
25	1"	127	5.00	73	2.9	118	4.6	176	6.9	11	0.43	50	1.97	4XR4	70	2.76	4XR5	5	11
40	1.5"	165	6.50	90	3.5	150	5.9	233	9.2	17	0.67	70	2.76	4XR5	102	4.02	4XR6	11	24
50	2"	178	7.00	100	3.9	160	6.3	254	10.0	17	0.67	70	2.76	4XR5	102	4.02	4XR6	15	33
65	2.5"	190	7.50	120	4.7	200	7.9	320	12.6	22	0.87	102	4.02	4XR6	125	4.92	4XR7	21	46
80	3"	203	8.00	130	5.1	210	8.3	332	13.1	22	0.87	125	4.92	4XR7	140	5.51	4XR9	30	66
100	4"	229	9.00	138	5.4	228	9.0	369	14.5	22	0.87	125	4.92	4XR7	140	5.51	4XR9	45	99
125	5"	254	10.00	174	6.9	264	10.4	435	17.1	27	1.06	140	5.51	4XR9	165	6.50	4XR11	68	150
150	6"	267	10.50	190	7.5	280	11.0	465	18.3	27	1.06	140	5.51	4XR9	165	6.50	4XR11	105	231
200	8"	419	16.50	232	9.1	322	12.7	546	21.5	27	1.06	165	6.50	4XR11	--	--	--	138	304
250	10"	457	18.00	305	12.0	415	16.3	705	27.8	42	1.65	165	6.50	4XR11	--	--	--	160	352
300	12"	502	19.75	332	13.1	442	17.4	762	30.0	42	1.65	165	6.50	4XR11	--	--	--	180	396
350	14"	572	22.50	393	15.5	--	--	--	--	--	--	--	--	--	--	--	--	--	--
400	16"	610	24.00	420	16.5	--	--	--	--	--	--	--	--	--	--	--	--	--	--
500	20"	711	28.00	540	21.3	--	--	--	--	--	--	--	--	--	--	--	--	--	--

a. For sizes and ratings not shown, consult Global Customer Support.



Figure 5. Outline Dimensions with RB Actuator Without Handwheel

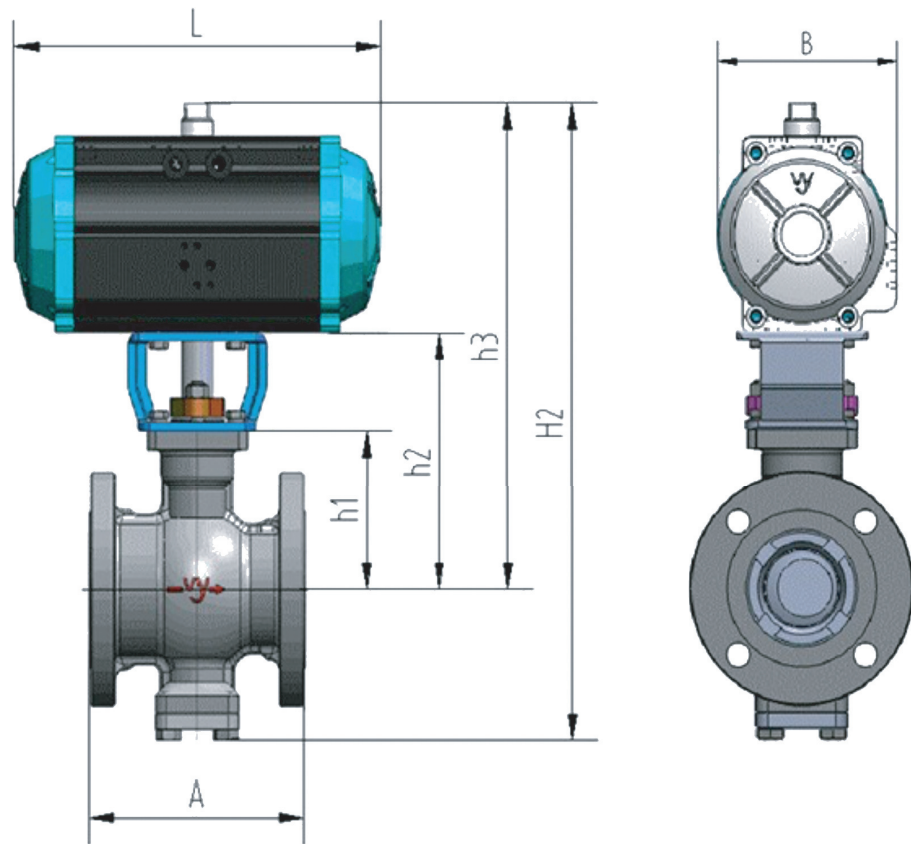


Table 8. Outline Dimensions for Valves and Pneumatic Actuator Without Handwheel, Class 150

Valve Size (a)		Outline Dimensions														Actuator		Weight	
		A		h1		h2		h3		H2		B		L					
DN	inch	mm	inch	mm	inch	mm	inch	mm	inch	mm	inch	mm	inch	mm	inch	kg	lb		
25	1"	127	5.00	73	2.9	118	4.6	253	10.0	306	12.0	102	4.0	236	9.3	RB80-DA	8.1	18	
								285	11.2	343	13.5	130	5.1	272	10.7	RB100-SR	10.8	24	
40	1.5"	165	6.50	90	3.5	150	5.9	317	12.5	403	15.9	130	5.1	272	10.7	RB100-DA	14.2	31	
								338	13.3	421	16.6	150	5.9	340	13.4	RB125-SR	23.2	51	
50	2"	178	7.00	100	3.9	160	6.3	328	12.9	422	16.6	130	5.1	272	10.7	RB100-DA	16.7	37	
								348	13.7	442	17.4	150	5.9	340	13.4	RB125-SR	25.7	57	
65	2.5"	190	7.50	120	4.7	200	7.9	390	15.4	510	20.1	150	5.9	340	13.4	RB125-DA	28.8	63	
								435	17.1	555	21.9	193	7.6	452	17.8	RB160-SR	42.8	94	
80	3"	203	8.00	130	5.1	210	8.3	445	17.5	567	22.3	193	7.6	452	17.8	RB160-DA	49.1	108	
								480	18.9	602	23.7	220	8.7	570	22.4	RB200-SR	83.6	184	
100	4"	229	9.00	138	5.4	228	9.0	463	18.2	604	23.8	193	7.6	452	17.8	RB160-DA	64.2	141	
								498	19.6	639	25.2	220	8.7	570	22.4	RB200-SR	98.7	217	
125	5"	254	10.00	174	6.9	264	10.4	534	21.0	705	27.8	220	8.7	570	22.4	RB200-DA	103	227	
								624	24.6	795	31.3	290	11.4	695	27.4	RB254-SR	156	343	
150	6"	267	10.50	190	7.5	280	11.0	550	21.7	735	28.9	220	8.7	570	22.4	RB200-DA	142.4	313	
								640	25.2	825	32.5	290	11.4	695	27.4	RB254-DA	180.4	397	
								640	25.2	825	32.5	300	11.8	706	27.8	RB280-SR	189.4	417	
200	8"	419	16.50	232	9.1	322	12.7"	682	26.9	907	35.7	290	11.4	695	27.4	RB254-DA	209	460	
								702	27.6	907	35.7	324	12.8	792	31.2	RB300-SR	238	524	
250	10"	457	18.00	305	12.0	415	16.3	765	30.1	1055	41.5	324	12.8	792	31.2	RB300-DA	240	528	
								825	32.5	1115	43.9	388	15.3	850	33.5	RB350-SR	295	649	
300	12"	502	19.75	332	13.1	442	17.4	792	31.2	1112	43.8	324	12.8	792	31.2	RB300-DA	260	572	
								852	33.5	1172	46.1	388	15.3	850	33.5	RB350-SR	315	693	

a. For sizes and ratings not shown, consult Global Customer Support.

**Table 9. Outline Dimensions for Valves and Pneumatic Actuator Without Handwheel, Class 300**

Valve Size (a)		Outline Dimensions														Actuator	Weight	
		A		h1		h2		h3		H2		B		L				
DN	inch	mm	inch	mm	inch	mm	inch	mm	inch	mm	inch	mm	inch	mm	inch		kg	lb
25	1"	127	5.00	73	2.9	118	4.6	253	10.0	306	12.0	102	4.0	236	9.3	RB80-DA	9.5	21
								285	11.2	343	13.5	130	5.1	272	10.7	RB100-SR	12.2	27
40	1.5"	165	6.50	90	3.5	150	5.9	317	12.5	403	15.9	130	5.1	272	10.7	RB100-DA	17.2	38
								338	13.3	421	16.6	150	5.9	340	13.4	RB125-SR	26.2	58
50	2"	178	7.00	100	3.9	160	6.3	328	12.9	422	16.6	130	5.1	272	10.7	RB100-DA	20.2	44
								348	13.7	442	17.4	150	5.9	340	13.4	RB125-SR	29.2	64
65	2.5"	190	7.50	120	4.7	200	7.9	390	15.4	510	20.1	150	5.9	340	13.4	RB125-DA	33.3	73
								435	17.1	555	21.9	193	7.6	452	17.8	RB160-SR	47.3	104
80	3"	203	8.00	130	5.1	210	8.3	445	17.5	567	22.3	193	7.6	452	17.8	RB160-DA	52.5	116
								480	18.9	602	23.7	220	8.7	570	22.4	RB200-SR	88	194
100	4"	229	9.00	138	5.4	228	9.0	463	18.2	604	23.8	193	7.6	452	17.8	RB160-DA	68.2	150
								498	19.6	639	25.2	220	8.7	570	22.4	RB200-SR	102.7	226
125	5"	254	10.00	174	6.9	264	10.4	534	21.0	705	27.8	220	8.7	570	22.4	RB200-DA	116	255
								624	24.6	795	31.3	290	11.4	695	27.4	RB254-SR	169	372
150	6"	267	10.50	190	7.5	280	11.0	550	21.7	735	28.9	220	8.7	570	22.4	RB200-DA	154.4	340
								640	25.2	825	32.5	290	11.4	695	27.4	RB254-DA	192.4	423
								640	25.2	825	32.5	300	11.8	706	27.8	RB280-SR	201.4	443
200	8"	419	16.50	232	9.1	322	12.7"	682	26.9	907	35.7	290	11.4	695	27.4	RB254-DA	224	493
								702	27.6	907	35.7	324	12.8	792	31.2	RB300-SR	253	557
250	10"	457	18.00	305	12.0	415	16.3	765	30.1	1055	41.5	324	12.8	792	31.2	RB300-DA	255	561
								825	32.5	1115	43.9	388	15.3	850	33.5	RB350-SR	310	682
300	12"	502	19.75	332	13.1	442	17.4	792	31.2	1112	43.8	324	12.8	792	31.2	RB300-DA	275	605
								852	33.5	1172	46.1	388	15.3	850	33.5	RB350-SR	330	726

a. For sizes and ratings not shown, consult Global Customer Support.

Figure 6. Outline Dimensions with RB Actuator With Handwheel

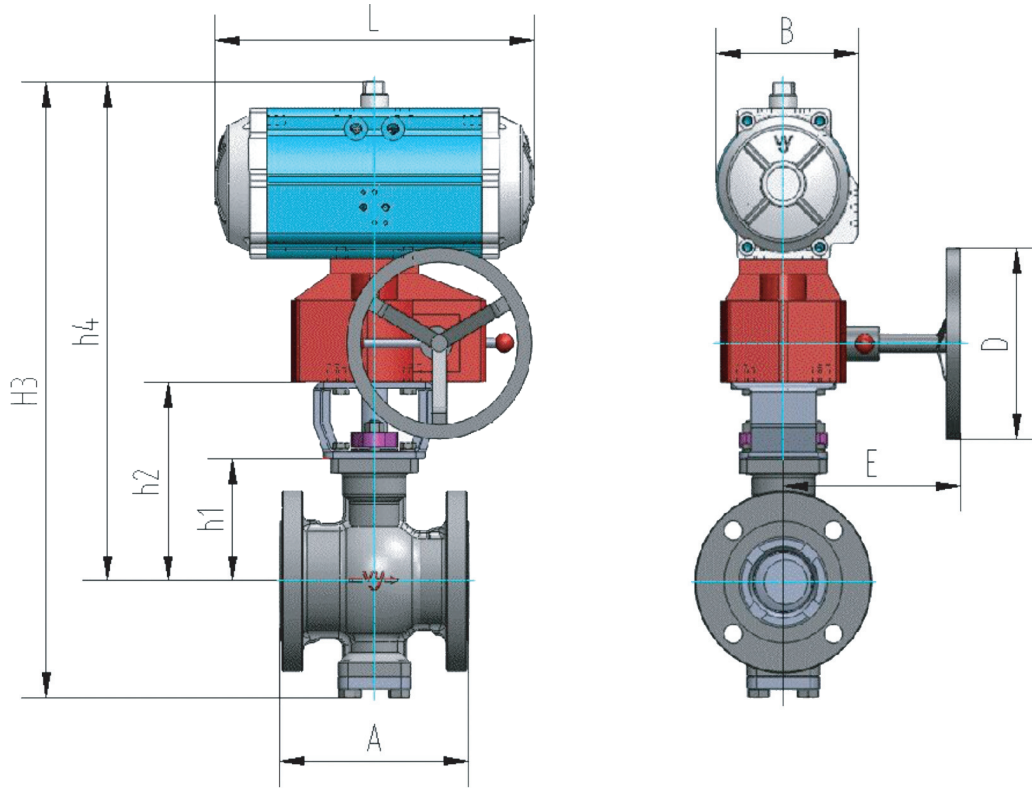


Table 10. Outline Dimensions for Valves and Pneumatic Actuator With Handwheel, Class 150

Valve Size (a)		Outline Dimensions																		Actuator		Weight	
		A		h1		h2		h4		H3		B		L		E		D					
DN	in	mm	in	mm	in	mm	in	mm	in	mm	in	mm	in	mm	in	mm	in	mm	in	kg	lb		
25	1"	127	5.00	73	2.9	118	4.6	361	14.2	414	16.3	102	4.0	236	9.3	155	6.1	160	6.3	RB80-DA	13	28	
		413	16.3	471	18.5	130	5.1	272	10.7	190	7.5	295	11.6	RB100-SR	19	41							
40	1.5"	165	6.50	90	3.5	150	5.9	445	17.5	531	20.9	130	5.1	272	10.7	190	7.5	295	11.6	RB100-DA	22	49	
		466	18.3	549	21.6	150	5.9	340	13.4	190	7.5	295	11.6	RB125-SR	31	69							
50	2"	178	7.00	100	3.9	160	6.3	456	18.0	550	21.7	130	5.1	272	10.7	190	7.5	295	11.6	RB100-DA	25	54	
		476	18.7	570	22.4	150	5.9	340	13.4	190	7.5	295	11.6	RB125-SR	34	74							
65	2.5"	190	7.50	120	4.7	200	7.9	518	20.4	638	25.1	150	5.9	340	13.4	190	7.5	295	11.6	RB125-DA	37	81	
		563	22.2	683	26.9	193	7.6	452	17.8	190	7.5	295	11.6	RB160-SR	51	112							
80	3"	203	8.00	130	5.1	210	8.3	573	22.6	695	27.4	193	7.6	452	17.8	190	7.5	295	11.6	RB160-DA	57	126	
		639	25.2	761	30.0	220	8.7	570	22.4	230	9.1	340	13.4	RB200-SR	99	217							
100	4"	229	9.00	138	5.4	228	9.0	591	23.3	732	28.8	193	7.6	452	17.8	190	7.5	295	11.6	RB160-DA	72	159	
		657	25.9	798	31.4	220	8.7	570	22.4	230	9.1	340	13.4	RB200-SR	114	250							
125	5"	254	10.00	174	6.9	264	10.4	693	27.3	864	34.0	220	8.7	570	22.4	230	9.1	340	13.4	RB200-DA	118	260	
		805	31.7	976	38.4	290	11.4	695	27.4	292	11.5	450	17.7	RB254-SR	205	451							
150	6"	267	10.50	190	7.5	280	11.0	709	27.9	894	35.2	220	8.7	570	22.4	230	9.1	340	13.4	RB200-DA	157	346	
		831	32.7	1006	39.6	290	11.4	695	27.4	292	11.5	450	17.7	RB254-DA	229	505							
		831	32.7	1006	39.6	300	11.8	706	27.8	292	11.5	450	17.7	RB280-SR	238	524							
200	8"	419	16.50	232	9.1	322	12.7"	863	34.0	1088	42.8	290	11.4	695	27.4	292	11.5	450	17.7	RB254-DA	258	568	
		863	34.8	1088	42.8	324	12.8	792	31.2	292	11.5	450	17.7	RB300-SR	287	631							
250	10"	457	18.00	305	12.0	415	16.3	946	37.2	1236	48.7	324	12.8	792	31.2	292	11.5	450	17.7	RB300-DA	289	636	
		1053	41.5	1343	52.9	388	15.3	850	33.5	400	15.7	450	17.7	RB350-SR	377	829							
300	12"	502	19.75	332	13.1	442	17.4	973	38.3	1293	50.9	324	12.8	792	31.2	292	11.5	450	17.7	RB300-DA	309	680	
		1080	42.5	1400	55.1	388	15.3	850	33.5	400	15.7	450	17.7	RB350-SR	397	873							

a. For sizes and ratings not shown, consult Global Customer Support.

Table 11. Outline Dimensions for Valves and Pneumatic Actuator With Handwheel, Class 300

Valve Size (a)		Outline Dimensions																		Actuator		Weight	
		A		h1		h2		h4		H3		B		L		E		D					
DN	in	mm	in	mm	in	mm	in	mm	in	mm	in	mm	in	mm	in	mm	in	mm	in		kg	lb	
25	1"	127	5.00	73	2.9	118	4.6	361	14.2	414	16.3	102	4.0	236	9.3	155	6.1	160	6.3	RB80-DA	14	31	
								413	16.3	471	18.5	130	5.1	272	10.7	190	7.5	295	11.6	RB100-SR	20	44	
40	1.5"	165	6.50	90	3.5	150	5.9	445	17.5	531	20.9	130	5.1	272	10.7	190	7.5	295	11.6	RB100-DA	25	55	
								466	18.3	549	21.6	150	5.9	340	13.4	190	7.5	295	11.6	RB125-SR	34	75	
50	2"	178	7.00	100	3.9	160	6.3	456	18.0	550	21.7	130	5.1	272	10.7	190	7.5	295	11.6	RB100-DA	28	62	
								476	18.7	570	22.4	150	5.9	340	13.4	190	7.5	295	11.6	RB125-SR	37	82	
65	2.5"	190	7.50	120	4.7	200	7.9	518	20.4	638	25.1	150	5.9	340	13.4	190	7.5	295	11.6	RB125-DA	41	91	
								563	22.2	683	26.9	193	7.6	452	17.8	190	7.5	295	11.6	RB160-SR	55	122	
80	3"	203	8.00	130	5.1	210	8.3	573	22.6	695	27.4	193	7.6	452	17.8	190	7.5	295	11.6	RB160-DA	61	133	
								639	25.2	761	30.0	220	8.7	570	22.4	230	9.1	340	13.4	RB200-SR	102	224	
100	4"	229	9.00	138	5.4	228	9.0	591	23.3	732	28.8	193	7.6	452	17.8	190	7.5	295	11.6	RB160-DA	76	168	
								657	25.9	798	31.4	220	8.7	570	22.4	230	9.1	340	13.4	RB200-SR	118	259	
125	5"	254	10.00	174	6.9	264	10.4	693	27.3	864	34.0	220	8.7	570	22.4	230	9.1	340	13.4	RB200-DA	131	288	
								805	31.7	976	38.4	290	11.4	695	27.4	292	11.5	450	17.7	RB254-SR	218	480	
150	6"	267	10.50	190	7.5	280	11.0	709	27.9	894	35.2	220	8.7	570	22.4	230	9.1	340	13.4	RB200-DA	169	373	
								831	32.7	1006	39.6	290	11.4	695	27.4	292	11.5	450	17.7	RB254-DA	241	531	
								831	32.7	1006	39.6	300	11.8	706	27.8	292	11.5	450	17.7	RB280-SR	241	531	
200	8"	419	16.50	232	9.1	322	12.7"	863	34.0	1088	42.8	290	11.4	695	27.4	292	11.5	450	17.7	RB254-DA	273	601	
								863	34.8	1088	42.8	324	12.8	792	31.2	292	11.5	450	17.7	RB300-SR	302	664	
250	10"	457	18.00	305	12.0	415	16.3	946	37.2	1236	48.7	324	12.8	792	31.2	292	11.5	450	17.7	RB300-DA	304	669	
								1053	41.5	1343	52.9	388	15.3	850	33.5	400	15.7	450	17.7	RB350-SR	302	862	
300	12"	502	19.75	332	13.1	442	17.4	973	38.3	1293	50.9	324	12.8	792	31.2	292	11.5	450	17.7	RB300-DA	324	713	
								1080	42.5	1400	55.1	388	15.3	850	33.5	400	15.7	450	17.7	RB350-SR	412	906	

a. For sizes and ratings not shown, consult Global Customer Support.

NOTES

### ADDITIONAL PRODUCTS

These product lines offer a broad range of measurement and instrument products, including solutions for pressure, flow, analytical, temperature, positioning, and controlling. For a list of these offerings, visit our web site at:

[www.schneider-electric.com](http://www.schneider-electric.com)

Schneider Electric Systems USA, Inc. Global Customer Support  
70 Mechanic Street Inside U.S.: 1-866-746-6477  
Foxboro, MA 02035 Outside U.S.: 1-508-549-2424  
United States of America <https://pasupport.schneider-electric.com>  
<http://www.se.com>

Copyright 2020 Schneider Electric Systems USA, Inc. All rights reserved.

The Schneider Electric brand and any trademarks of Schneider Electric SE or its subsidiaries are the property of Schneider Electric SE or its subsidiaries. All other trademarks are the property of their respective owners.

