

BAV90 Soft Seated Ball Valve



FEATURES

- ▶ Floating ball on sizes 1/2" (DN15) through 6" (DN150).
- ▶ Trunnion mounted ball on size 8" (DN200) through 12" (DN300).
- ▶ Stem guides are located in the machined main valve body to help ensure proper alignment, reduce leakage points, and help ensure stem seals are free from operating loads.
- ▶ Bolted packing box for high integrity packing.
- ▶ Seat rings are virgin PTFE or reinforced PTFE for tight shutoff.
- ▶ Blowout-resistant stems with additional compound guide and thrust rings for reduced torque.
- ▶ Drain connection on the main valve body on sizes 8" (DN200) or larger.

*Equipment should be installed, operated, serviced, and maintained only by qualified personnel.
No responsibility is assumed by Schneider Electric for any consequences arising from the use of this material.*

KEY COMPONENTS OF TWO-PIECE FLOATING OR TRUNNION-MOUNTED BALL VALVE

Figure 1. Key Components



Table 1. Key Components

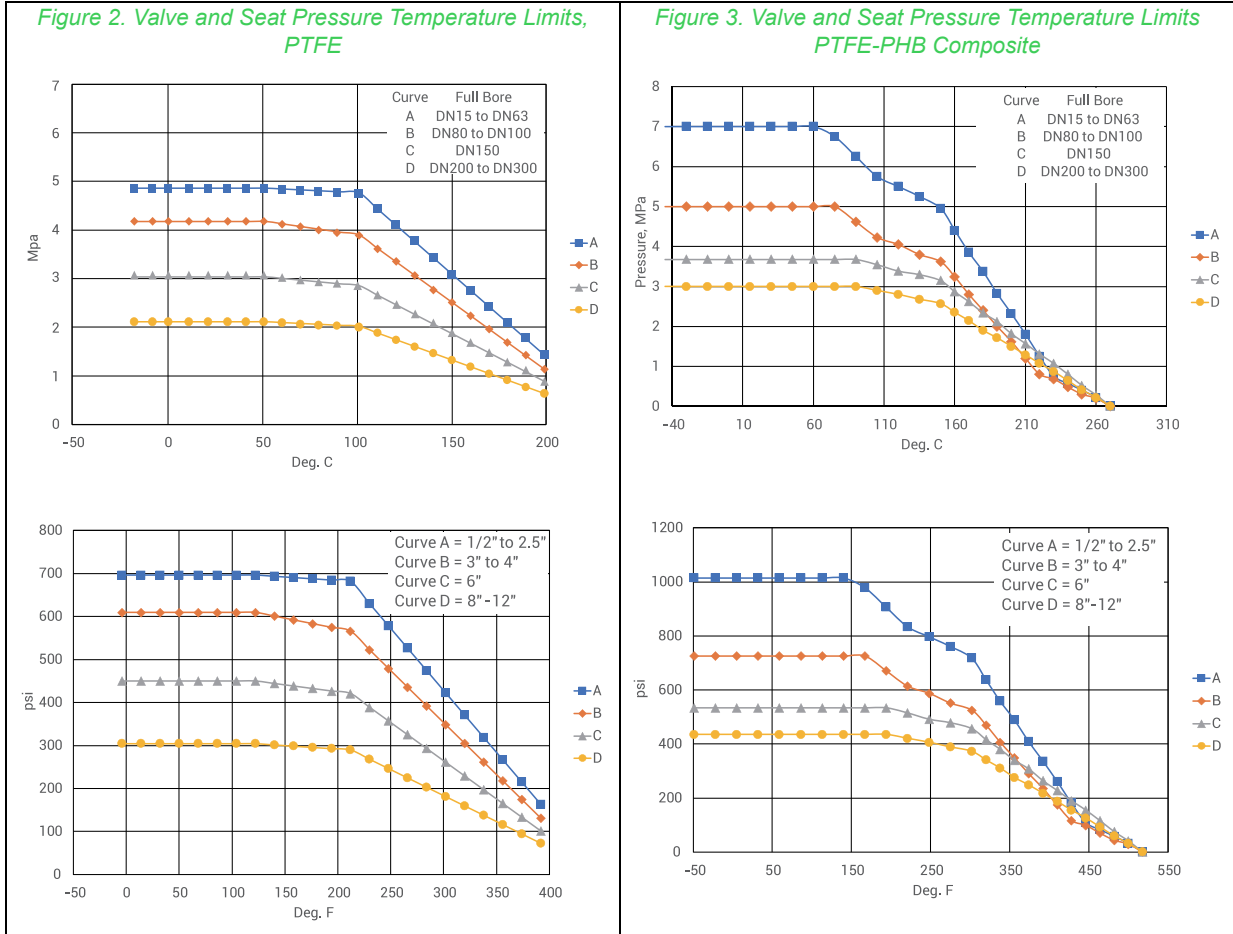
Type	Two Piece, Soft Seated Ball Valve (a)
Body Size	1/2" - 12" (DN15 - DN300)
Characteristics, Trim Form	On/Off, full port ball
Pressure Classes	Class 150 - 300
Body Connections	ASME B16.5 RF (b)
Face to Face Dimensions	ASME B16.10 1/2" (DN15) to 12" (DN300) API 6D 2" (DN50) and larger
Packing, Seat Ring	PTFE; Filled PTFE
Gasket	Spiral wound metal: Grafoil®/316
Flow Direction	Bidirectional
Shutoff Rating	In accordance with API 598

a. ISO 5211 mounting pad.

b. DIN and PN flanges are also available. Contact Global Customer Support for more information.

PERFORMANCE DATA

Shutoff Performance



REFERENCE TORQUE

The listed torque is the required torque to operate the valve to its allowed pressure drop limit.

If the medium is dry gas, the required torque is increased by 30 to 50%.

Table 2. Required Valve Torque Values, N-m (lbf-ft)

Body Size DN/inches	15 1/2"	20 3/4"	25 1"	32 1 1/4"	40 1.5"	50 2"	65 2.5"	80 3"	100 4"	125 5"	150 6"	200 8"	250 10"	300 12"
Class 150	8 (6)	10 (7)	14 (10)	20 (15)	30 (22)	40 (30)	60 (44)	85 (63)	130 (96)	190 (140)	300 (220)	800 (590)	1200 (885)	1850 (1365)
Class 300	10 (7)	12 (9)	18 (13)	30 (22)	45 (33)	55 (41)	120 (90)	270 (200)	330 (245)	610 (450)	1040 (767)	1250 (925)	1550 (1150)	2740 (2020)

MATERIALS OF CONSTRUCTION UP TO 6" (DN150)

Figure 4. Valve Components

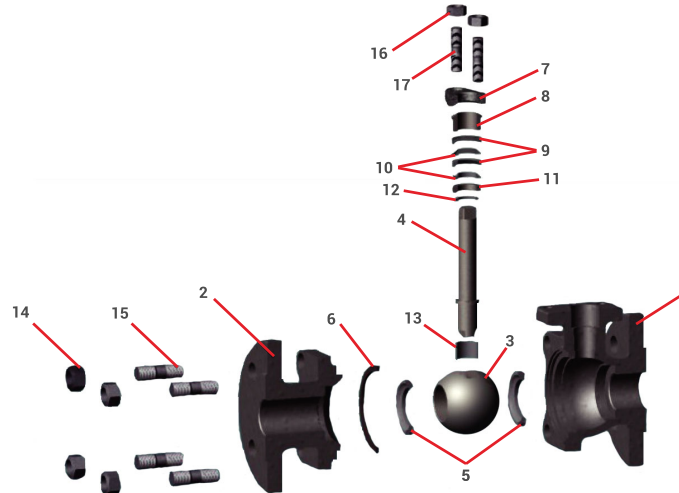


Table 3. Valve Components

Item	Name	Temperature		
		-29°C/-20°F	+200°C/+392°F	+250°C/+482°F
1	Main Body	WCB, CF8, CF8M		
2	Secondary Body			
3	Ball	304 SS, 316 SS, Wrought Material		
4	Shaft	17-4 PH, 316 SS, 316L		
5	Seat Ring	PTFE	Filled PTFE	
6	Body Gasket	Grafoil® + 316 SS		
7	Packing Gland	CF8		
8	Packing Follower	420 SS		
9, 10	Packing	PTFE	Filled PTFE	
11	Packing Spacer	316 SS		
12	Thrust Bearing	PTFE	Filled PTFE	
13	Slide Bearing	Compound Material		
14	Nut	A194-2H, B8, B8M		
15	Stud Bolt	A193-B7, B8, B8M		
16	Nut	300 SS		
17	Stud Bolt	A193-B7, B8, B8M		

Notes:

1. Optional materials are available. Contact Global Customer Support.
2. Pressure boundary parts are provided to ASTM standards.
3. Valve internal materials are supplied to ASTM/JIS/DIN/GB equivalent.
4. NACE certification is available. Contact Global Customer Support.
5. Body studs and nuts may be replaced with hex bolts.

MATERIALS OF CONSTRUCTION 8" (DN200) OR GREATER

Figure 5. Valve Components

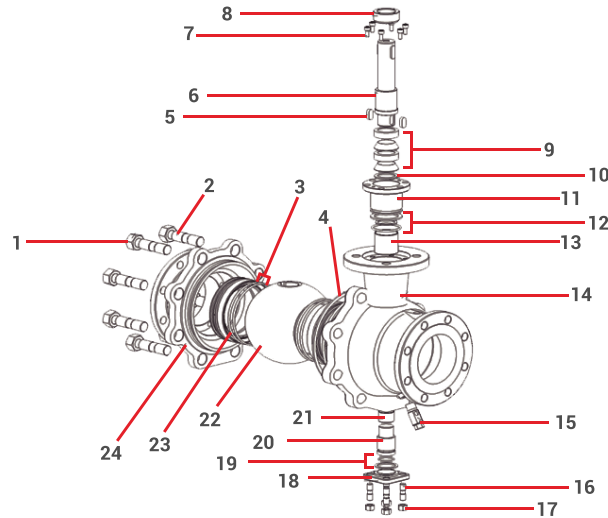


Table 4. Valve Components

Item	Name	Temperature			
		-29°C/-20°F	+82°C/+180°F	+200°C/+392°F	+250°C/+482°F
1	Nut	A194-2H, B8, B8M			
2	Stud Bolt	A193-B7, B8, B8M			
3	O-Ring	Buna-N		Viton®	
4	Body Gasket Sealing Ring	Grafoil®+316 SS			
5	Key	304 SS			
6	Shaft	17-4 PH, 316 SS, 316L			
7	Hex Head Screws	300 SS			
8	Packing Follower	420 SS			
9	Packing	PTFE			Filled PTFE
10	Packing Spacer	316 SS			
11	Packing Stuffing - Box	304 SS			
12	Sealing Ring	Grafoil®+316 SS			
13	Slide Bearing	Compound Material			
14	Main Body	WCB, CF8, CF8M			
15	Drain Valve	300 SS			
16	Stud Bolt	A194-2H, B8, B8M			
17	Nut	A193-B7, B8, B8M			
18	Bottom Flange	WCB, 304 SS, 316L			
19	Sealing Ring	Grafoil®+316 SS			

Table 4. Valve Components (Continued)

Item	Name	Temperature			
		-29°C/-20°F	+82°C/+180°F	+200°C/+392°F	+250°C/+482°F
20	Trunnion	17-4 PH, 316 SS, 316L			
21	Slide Bearing	Compound Material			
22	Ball	314 SS/316 SS, Wrought Material			
23	Seat Ring	PTFE, Filled PTFE			
24	Secondary Body	WCB, CF8, CF8M			

Notes:

1. Optional materials are available. Contact Global Customer Support.
2. Pressure boundary parts are provided to ASTM standards.
3. Valve internal materials are supplied to ASTM/JIS/DIN/GB equivalent.
4. NACE certification is available. Contact Global Customer Support.
5. Body studs and nuts may be replaced with hex bolts.

DIMENSIONS AND WEIGHTS - 1/2" (DN15) TO 8" (DN200) CLASS 150 VALVES

Figure 6. With Handwheel

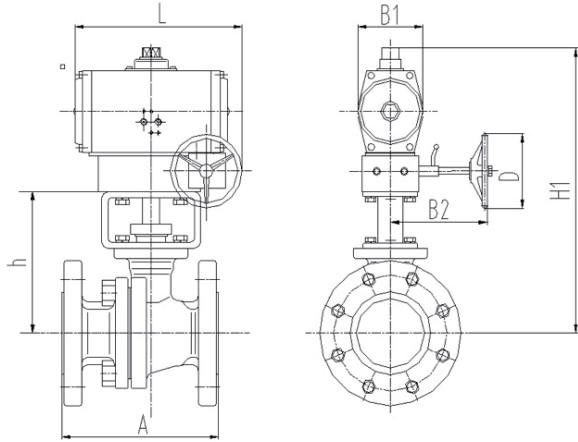


Figure 7. Without Handwheel

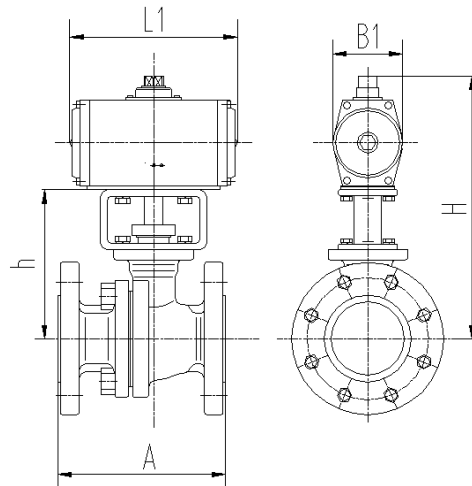


Table 5. Valve Dimensions

DN mm/ in.	Actuator	A mm/in.	h mm/in.	B1 mm/in.	B2 mm/in.	D mm/in.	H mm/in.	L1 mm/in.	H1 mm/in.	L mm/in.
15/ 1/2"	APR63-DA	108/ 4.25	91/ 3.6	83/3.3	135/5.3	140/5.5	226/8.9	180/7.1	317/12.5	202/8
	APR80-SR			102/4	155/6.1	160/6.3	236/9.3	236/9.3	348/13.7	251/9.9
20/ 3/4"	APR63-DA	117/ 4.62	101/ 4	83/3.3	135/5.3	140/5.5	233/9.2	180/7.1	327/12.9	202/8
	APR80-SR			102/4	155/6.1	160/6.3	243/9.6	236/9.3	358/14.1	251/9.9
25/ 1"	APR63-DA	127/ 5.00	112/ 4.4	83/3.3	135/5.3	140/5.5	248/9.8	180/7.1	338/13.3	202/8
	APR80-SR			102/4	155/6.1	160/6.3	258/10.2	236/9.3	369/14.5	251/9.9
32/ 1.25"	APR80-DA	140/ 5.50	137/ 5.4	102/4	155/6.1	160/6.3	281/11.1	236/9.3	394/15.5	251/9.9
	APR100-SR			130/5.1	155/6.1	160/6.3	319/12.6	272/10.7	432/17	269/10.6
40/ 1.50"	APR80-DA	165/ 6.50	143/ 5.6	102/4	155/6.1	160/6.3	272/10.7	236/9.3	400/15.7	251/9.9
	APR100-SR			130/5.1	155/6.1	160/6.3	310/12.2	272/10.7	438/1.2	269/10.6
50/ 2"	APR80-DA	178/ 7.00	154/ 6.1	102/4	155/6.1	160/6.3	300/11.8	236/9.3	411/16.2	251/9.9
	APR100-SR			130/5.1	155/6.1	160/6.3	334/13.1	272/10.7	449/17.7	269/10.6
65/ 2.5"	APR100-DA	191/ 7.50	202/ 8	130/5.1	155/6.1	160/6.3	385/15.2	272/10.7	497/19.6	269/10.6
	APR125-SR			150/5.9	190/7.5	295/11.6	405/15.9	340/13.4	545/21.5	392/15.4
80/ 3"	APR125-DA	203/ 8.00	214/ 8.4	150/5.9	190/7.5	295/11.6	415/16.3	340/13.4	557/21.9	392/15.4
	APR125-SR			150/5.9	190/7.5	295/11.6	415/16.3	340/13.4	557/21.9	392/15.4
100/ 4"	APR125-DA	229/ 9.00	243/ 9.6	150/5.9	190/7.5	295/11.6	445/17.5	340/13.4	586/23.1	392/15.4
	APR160-SR			193/7.6	190/7.5	295/11.6	490/19.3	452/17.8	631/24.8	448/17.6
125/ 5"	APR160-DA	356/ 14.00	290/ 11.4	193/7.6	190/7.5	295/11.6	560/22	452/17.8	678/26.7	448/17.6
	APR160-SR			193/7.6	190/7.5	295/11.6	560/22	452/17.8	678/26.7	448/17.6
150/ 6"	APR160-DA	394/ 15.50	312/ 12.3	193/7.6	190/7.5	295/11.6	580/22.8	452/17.8	700/27.6	448/17.6
	APR200-SR			220/8.7	230/9.1	340/13.4	615/24.2	570/22.4	779/30.7	552/21.7

Table 6. Valve Weights

DN mm/in.	Actuator	With Handwheel kg/lbs	No Handwheel kg/lbs
15/1/2"	APR63-DA	7/15	4/10
	APR80-SR	12/27	8/17
20/3/4"	APR63-DA	8/17	5/11
	APR80-SR	13/29	9/19
25/1"	APR63-DA	9/20	7/15
	APR80-SR	15/32	10/22
32/1.25"	APR80-DA	17/37	12/27
	APR100-SR	20/43	15/33
40/1.50"	APR80-DA	18/40	14/30
	APR100-SR	21/46	16/36
50/2"	APR80-DA	21/45	16/35
	APR100-SR	23/51	19/41
65/2.5"	APR100-DA	24/53	20/43
	APR125-SR	37/81	29/63
80/3"	APR125-DA	39/85	31/68
	APR125-SR	42/92	34/74
100/4"	APR125-DA	53/117	45/100
	APR160-SR	67/148	60/130
125/5"	APR160-DA	83/183	75/166
	APR160-SR	87/192	79/174
150/6"	APR160-DA	128/282	120/264
	APR200-SR	169/373	154/340

DIMENSIONS AND WEIGHTS - 1/2" (DN15) TO 8" (DN200) CLASS 300 VALVES

Figure 8. With Handwheel

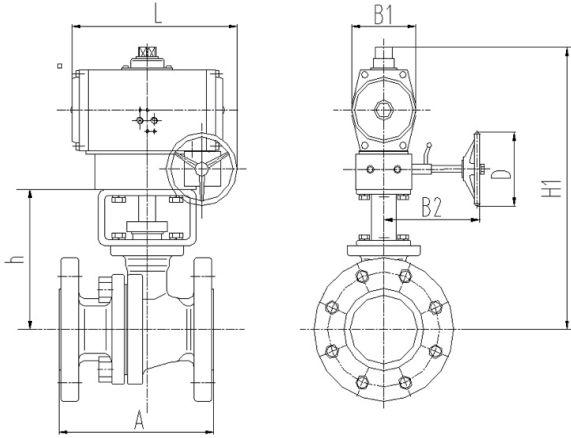


Figure 9. Without Handwheel

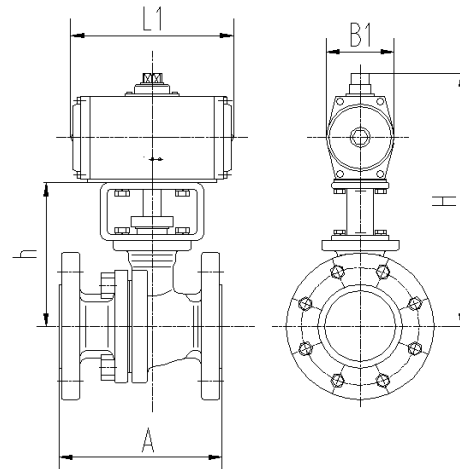


Table 7. Valve Dimensions

DN mm/ in.	Actuator	A mm/in	h mm/in	B1 mm/in	B2 mm/in	D mm/in	H mm/in	L1 mm/in	H1 mm/in	L mm/in
15/ 1/2"	APR80-DA	140/ 5.50	101/ 4	102/4	155/6.1	160/6.3	243/9.6	236/9.3	358/14.1	251/9.9
	APR80-SR			102/4	155/6.1	160/6.3	243/9.6	236/9.3	358/14.1	251/9.9
20/ 3/4"	APR80-DA	152/ 6.00	113/ 4.4	102/4	155/6.1	160/6.3	255/10	236/9.3	370/14.6	251/9.9
	APR80-SR			102/4	155/6.1	160/6.3	255/10	236/9.3	370/14.6	251/9.9
25/ 1"	APR80-DA	165/ 6.50	140/ 5.5	102/4	155/6.1	160/6.3	285/11.2	236/9.3	397/15.6	251/9.9
	APR80-SR			102/4	155/6.1	160/6.3	285/11.2	236/9.3	397/15.6	251/9.9
	APR100-SR			130/5.1	155/6.1	160/6.3	308/12.1	272/10.7	435/17.1	269/10.6
32/ 1.25"	APR80-DA	178/ 7.00	136/ 5.4	102/4	155/6.1	160/6.3	284/11.2	236/9.3	393/15.5	251/9.9
	APR80-SR			102/4	155/6.1	160/6.3	284/11.2	236/9.3	393/15.5	251/9.9
	APR100-SR			130/5.1	155/6.1	160/6.3	304/12	272/10.7	431/17	269/10.6
40/ 1.5"	APR80-DA	190/ 7.50	181/ 7.1	102/4	155/6.1	160/6.3	331/13	236/9.3	438/17.2	251/9.9
	APR100-SR			130/5.1	155/6.1	160/6.3	328/12.9	272/10.7	476/18.7	269/10.6
50/ 2"	APR100-DA	216/ 8.50	199/ 7.8	130/5.1	155/6.1	160/6.3	382/15	272/10.7	494/19.4	269/10.6
	APR125-SR			150/5.9	190/7.5	295/11.6	404/15.9	340/13.4	542/21.3	392/15.4
65/ 2.5"	APR125-DA	241/ 9.50	219/ 8.6	150/5.9	190/7.5	295/11.6	427/16.8	340/13.4	562/22.1	392/15.4
	APR160-SR			193/7.6	190/7.5	295/11.6	472/18.6	452/17.8	607/23.9	448/17.6
80/ 3"	APR160-DA	283/ 11.12	255/ 10	193/7.6	190/7.5	295/11.6	518/20.4	452/17.8	643/25.3	448/17.6
	APR160-SR			193/7.6	190/7.5	295/11.6	518/20.4	452/17.8	643/25.3	448/17.6
100/ 4"	APR200-DA	305/ 12.00	271/ 10.7	220/8.7	230/9.1	340/13.4	544/21.4	570/22.4	738/29.1	552/21.7
	APR200-SR			220/8.7	230/9.1	340/13.4	544/21.4	570/22.4	738/29.1	552/21.7
	APR254-SR			290/11.4	292/11.5	450/17.7	631/24.8	695/27.4	860/33.9	699/27.5
125/ 5"	APR200-DA	381/ 15.00	300/ 11.8	220/8.7	230/9.1	340/13.4	589/23.2	570/22.4	767/30.2	552/21.7
	APR200-SR			220/8.7	230/9.1	340/13.4	589/23.2	570/22.4	767/30.2	552/21.7
	APR254-SR			290/11.4	292/11.5	450/17.7	660/26	695/27.4	889/35	699/27.5

Table 7. Valve Dimensions (Continued)

DN mm/ in.	Actuator	A mm/in	h mm/in	B1 mm/in	B2 mm/in	D mm/in	H mm/in	L1 mm/in	H1 mm/in	L mm/in
150/ 6"	APR200-DA	403/ 15.87	320/ 12.6	220/8.7	230/9.1	340/13.4	615/24.2	570/22.4	787/31	552/21.7
	APR254-SR			290/11.4	292/11.5	450/17.7	705/27.8	695/27.4	909/35.8	699/27.5
	APR280-DA			300/11.18	292/11.5	450/17.7	705/27.8	706/27.8	909/35.8	704/27.7
	APR280-SR			300/11.18	292/11.5	450/17.7	705/27.8	706/27.8	909/35.8	704/27.7

Table 8. Valve Weights

DN mm/in.	Actuator	With Handwheel kg/lbs	No Handwheel kg/lbs
15/1/2"	APR80-DA	12/25	7/15
	APR80-SR	12/27	8/17
20/3/4"	APR80-DA	13/28	8/18
	APR80-SR	13/29	9/20
25/1"	APR80-DA	14/31	10/21
	APR80-SR	15/33	10/23
	APR100-SR	18/39	13/29
32/1.25"	APR80-DA	17/38	13/28
	APR80-SR	18/39	13/29
	APR100-SR	20/44	15/34
40/1.5"	APR80-DA	19/42	15/32
	APR100-SR	22/48	17/38
50/2"	APR100-DA	23/50	18/40
	APR125-SR	35/77	27/60
65/2.5"	APR125-DA	36/78	28/61
	APR160-SR	50/109	42/91
80/3"	APR160-DA	57/125	49/108
	APR160-SR	61/134	53/116
100/4"	APR200-DA	111/245	96/212
	APR200-SR	120/264	105/231
	APR254-SR	158/348	109/240
125/5"	APR200-DA	127/280	112/247
	APR200-SR	136/300	121/267
	APR254-SR	214/472	165/364
150/6"	APR200-DA	189/400	167/367
	APR254-SR	269/592	220/484
	APR280-DA	313/689	264/581
	APR280-SR	313/689	264/581

DIMENSIONS AND WEIGHTS - 8" (DN200) TO 12" (DN300) CLASS 150 VALVES

Figure 10. With Handwheel

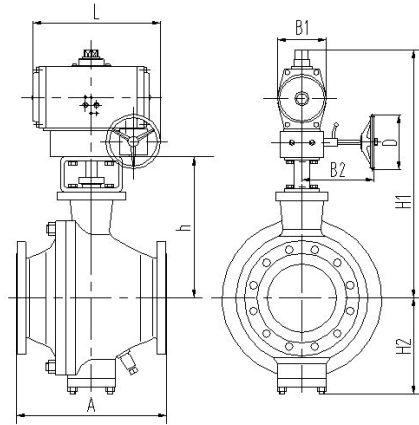


Figure 11. Without Handwheel

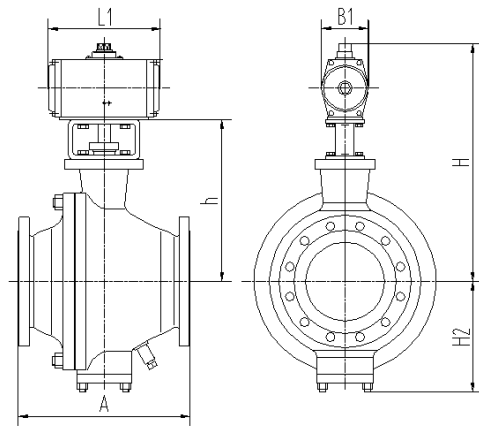


Table 9. Valve Dimensions

DN mm/ in.	Actuator	A mm/in.	h mm/in.	H2 mm/in.	B1 mm/in.	B2 mm/in.	D mm/in.	H mm/in.	L1 mm/in.	H1 mm/in.	L mm/in.
200/ 8"	APR200-DA	457/ 18.00	425/ 16.7	293/ 11.5	570/ 22.4	230/ 9.1	340/ 13.4	754/ 29.7	570/ 22.4	892/ 35.1	552/ 21.7
	APR254-SR				695/ 27.4	292/ 11.5	450/ 17.7	844/ 33.2	695/ 27.4	1014/ 39.9	699/ 27.5
	APR254-DA				695/ 27.4	292/ 11.5	450/ 17.7	844/ 33.2	695/ 27.4	1014/ 39.9	699/ 27.5
	APR280-SR				300/ 11.8	292/ 11.5	450/ 17.7	844/ 33.2	706/ 27.8	1014/ 39.9	704/ 27.7
250/ 10"	APR254-DA	533/ 21.00	459/ 18.1	335/ 13.2	695/ 27.4	292/ 11.5	450/ 17.7	883/ 34.8	695/ 27.4	1048/ 41.3	699/ 27.5
	APR280-DA				300/ 11.8	292/ 11.5	450/ 17.7	883/ 34.8	706/ 27.8	1048/ 41.3	704/ 27.7
	APR300-SR				324/ 12.8	292/ 11.5	450/ 17.7	903/ 35.6	792/ 31.2	1068/ 42	792/ 31.2
300/ 12"	APR254-DA	610/ 24.00	392/ 15.4	372/ 14.6	695/ 27.4	292/ 11.5	450/ 17.7	840/ 33.1	695/ 27.4	981/ 38.6	699/ 27.5
	APR280-DA				300/ 11.8	292/ 11.5	450/ 17.7	840/ 33.1	706/ 27.8	981/ 38.6	704/ 27.7
	APR300-SR				324/ 12.8	292/ 11.5	450/ 17.7	860/ 33.9	792/ 31.2	1001/ 39.4	792/ 31.2

Table 10. Valve Weights

DN mm/in.	Actuator	With Handwheel kg/lbs	No Handwheel kg/lbs
200/8"	APR200-DA	283/623	268/590
	APR254-SR	370/814	321/706
	APR254-DA	332/730	283/623
	APR280-SR	384/845	335/737
250/10"	APR254-DA	485/1067	436/959
	APR280-DA	493/1085	444/977
	APR300-SR	529/1164	480/1056
300/12"	APR254-DA	625/1375	576/1267
	APR280-DA	633/1393	584/1285
	APR300-SR	669/1472	620/1364

DIMENSIONS AND WEIGHTS - 8" (DN200) TO 12" (DN300) CLASS 300 VALVES

Figure 12. With Handwheel

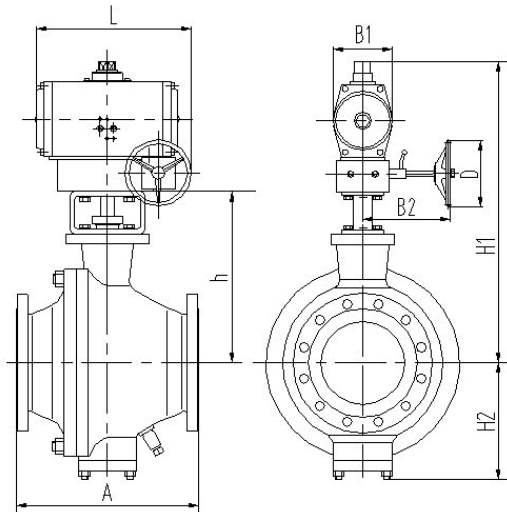


Figure 13. Without Handwheel

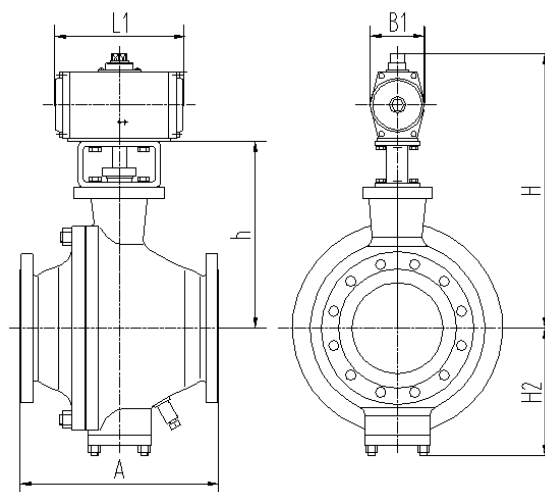


Table 11. Valve Dimensions

DN mm/ in.	Actuator	A mm/in.	h mm/in.	H2 mm/in.	B1 mm/in.	B2 mm/in.	D mm/in.	H mm/in.	L1 mm/in.	H1 mm/in.	L mm/in.
200/ 8"	APR254-DA	502/ 19.75	437/ 17.2	293/ 11.5	695/ 27.4	292/ 11.5	450/ 17.7	844/ 33.2	695/ 27.4	1026/ 40.4	699/ 27.5
	APR254-SR				695/ 27.4	292/ 11.5	450/ 17.7	844/ 33.2	695/ 27.4	1026/ 40.4	699/ 27.5
	APR280-DA				300/ 11.8	292/ 11.5	450/ 17.7	844/ 33.2	706/ 27.8	1026/ 40.4	704/ 27.7
	APR280-SR				300/ 11.8	292/ 11.5	450/ 17.7	844/ 33.2	706/ 27.8	1026/ 40.4	704/ 27.7
250/ 10"	APR254-DA	568/ 22.38	471/ 18.5	335/ 13.2	695/ 27.4	292/ 11.5	450/ 17.7	883/ 34.8	695/ 27.4	1060/ 41.7	699/ 27.5
	APR280-DA				300/ 11.8	292/ 11.5	450/ 17.7	883/ 34.8	706/ 27.8	1060/ 41.7	704/ 27.7
	APR300-SR				324/ 12.8	292/ 11.5	450/ 17.7	903/ 35.6	792/ 31.2	1080/ 42.5	792/ 31.2
300/ 12"	APR280-DA	648/ 25.50	570/ 22.4	372/ 14.6	300/ 11.8	292/ 11.5	450/ 17.7	890/ 35	706/ 27.8	1159/ 45.6	704/ 27.7
	APR300-DA				324/ 12.8	292/ 11.5	450/ 17.7	910/ 35.8	792/ 31.2	1179/ 46.4	792/ 31.2
	APR350-DA				388/ 15.3	400/ 15.7	450/ 17.7	970/ 38.2	850/ 33.5	1288/ 50.7	850/ 33.5
	APR300-SR				324/ 12.8	292/ 11.5	450/ 17.7	910/ 35.8	792/ 31.2	1179/ 46.4	792/ 31.2
	APR350-SR				388/ 15.3	400/ 15.7	450/ 17.7	970/ 38.2	850/ 33.5	1288/ 50.7	850/ 33.5

Table 12. Valve Weights

DN mm/in.	Actuator	With Handwheel kg/lbs	No Handwheel kg/lbs
200/8"	APR254-DA	415/913	366/805
	APR254-SR	430/946	381/838
	APR280-DA	444/977	395/869
	APR280-SR	444/977	395/869
250/10"	APR254-DA	575/1265	526/1157
	APR280-DA	583/1283	534/1175
	APR300-SR	619/1362	570/1254
300/12"	APR280-DA	723/1591	674/1483
	APR300-DA	739/1626	690/1518
	APR350-DA	897/1973	815/1793
	APR300-SR	759/1670	710/1562
	APR350-SR	852/1874	770/1694

ACTUATOR MOUNTING DIMENSIONS AND WEIGHT

Figure 14. BAV90 1/2" (DN15) to 6" (DN150)

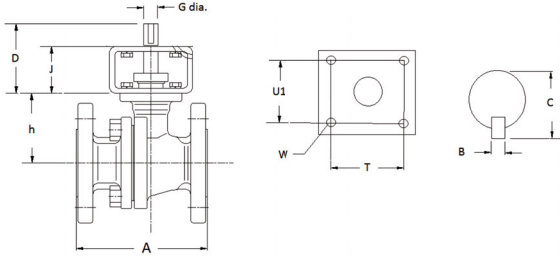


Figure 15. BAV90 8" (DN200) to 12" (DN300)

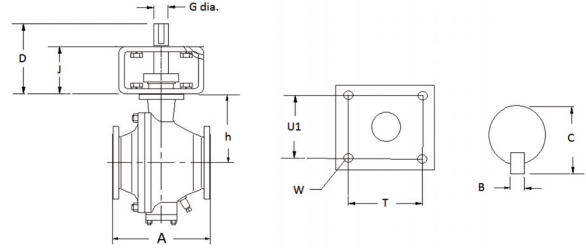


Table 13. Actuator Mounting Dimensions and Weight, BAV90 1/2" (DN15) to 6" (DN150)

Size mm inch	ANSI Class	A mm/in.	h mm/in.	D mm/in.	G mm	J mm/in.	ISO 5211 Type	U1 mm/in.	W mm	T mm/in.	Weight kg/lb
DN15 1/2"	150	108/4.25	47/1.9	54/2.1	8	45/1.8	F07	49.5/1.9	4x 10	49.5/1.9	2.2/5
	300	140/5.50	55.5/2.2	58/2.3	11	45/1.8	F07	49.5/1.9	4x 10	49.5/1.9	2.5/6
DN2 3/4"	150	117/4.62	57.5/2.3	54/2.1	8	45/1.8	F07	49.5/1.9	4x 10	49.5/1.9	3.1/7
	300	152/6.00	67.5/2.7	54/2.1	11	45/1.8	F07	49.5/1.9	4x 10	49.5/1.9	3.8/8
DN32 1"	150	127/5.00	67/2.6	58/2.3	11	45/1.8	F07	49.5/1.9	4x 10	49.5/1.9	4.9/11
	300	165/6.50	80/3.1	73/2.9	11	60/2.4	F07	49.5/1.9	4x 10	49.5/1.9	5.2/11
DN32 1.25"	150	143/5.63	76.5/3	76/3	14	60/2.4	F07	49.5/1.9	4x 10	49.5/1.9	7.9/17
	300	178/7.00	81/3.2	74/2.9	17	55/2.2	F07	49.5/1.9	4x 10	49.5/1.9	8.2/18
DN40 1.5"	150	165/6.50	64/2.5	74/2.9	17	55/2.2	F07	49.5/1.9	4x 10	49.5/1.9	9.1/20
	300	190/7.50	101/4	99/3.9	17	80/3.1	F10	72.1/2.8	4x 12	72.1/2.8	10.1/22
DN50 2"	150	178/7.00	75/3	74/2.9	17	55/2.2	F07	49.5/1.9	4x 10	49.5/1.9	11.6/26
	300	216/8.50	119/4.7	99/3.9	17	80/3.1	F10	72.1/2.8	4x 12	72.1/2.8	12/26
DN65 2.5"	150	191/7.50	95/3.7	104/4.1	22	80/3.1	F10	72.1/2.8	4x 12	72.1/2.8	13.5/30
	300	241/9.50	139/5.5	104/4.1	22	80/3.1	F12	88.4/3.5	4x 14	88.4/3.5	15.2/33
DN80 3"	150	203/8.00	107/4.2	104/4.1	22	80/3.1	F10	72.1/2.8	4x 12	72.1/2.8	18.5/41
	300	283/11.12	155/6.1	129/5.1	27	100/3.9	F14	99/3.9	4x 18	99/3.9	26.5/58
DN100 4"	150	229/9.00	128/5	104/4.1	22	80/3.1	F10	72.1/2.8	4x 12	72.1/2.8	33/73
	300	305/12.00	171/6.7	138/5.4	36	100/3.9	F14	99/3.9	4x 18	99/3.9	48.2/106
DN125 5"	150	356/14.00	160/6.3	129/5.1	27	100/3.9	F14	99/3.9	4x 18	99/3.9	52.9/116
	300	381/15.00	200/7.9	138/5.4	36	100/3.9	F16	116.7/4.6	4x 20	116.7/4.6	64.4/142
DN150 6"	150	394/15.50	193/7.6	129/5.1	27	100/3.9	F14	99/3.9	4x 18	99/3.9	98/215
	300	403/15.88	222/8.7	138/5.4	36	100/3.9	F16	116.7/4.6	4x 20	116.7/4.6	119/261

Table 14. Actuator Mounting Dimensions and Weight, BAV90 8" (DN200) to 12" (DN300)

Size	ANSI Class	A mm/ in.	h mm/ in.	B mm/ in.	C mm/ in.	D mm/ in.	G mm	J mm/ in.	ISO 5211	U1 mm/ in.	W mm/ in.	T mm/ in.	Weight kg/ lb
DN200 8"	150	457/ 18.00	240/ 9.4	-	-	138/ 5.4	36	100/ 3.9	F16	116.7/ 4.6	4x 20/ 0.79	116.7/ 4.6	220/ 484
	300	502/ 19.75	337/ 13.3	-	-	138/ 5.4	36	100/ 3.9	F16	116.7/ 4.6	4x 20/ 0.79	116.7/ 4.6	280/ 616
DN250 10"	150	533/ 21.00	371/ 14.6	-	-	147/ 5.8	36	100/ 3.9	F16	116.7/ 4.6	4x 20/ 0.79	116.7/ 4.6	350/ 770
	300	568/ 22.38	371/ 14.6	20/ 0.8	76.5/ 3.01	295/ 11.6	72	180/ 7.1	F25	254/ 10.00	8x 18/ 0.71	254/ 10.00	440/ 970
DN300 12"	150	610/ 24.00	399/ 15.7	28/ 1.1	106/ 4.17	365/ 14.4	100	220/ 8.7	F25	254/ 10.00	8x 18/ 0.71	254/ 10.00	490/ 1080
	300	648/ 25.50	399/ 15.7	28/ 1.1	106/ 4.17	365/ 14.4	100	220/ 8.7	F30	298/ 11.73	8x 22/ 0.86	298/ 11.73	595/ 1310

Note: For sizes and ratings not shown, contact Global Customer Support.

ADDITIONAL PRODUCTS

These product lines offer a broad range of measurement and instrument products, including solutions for pressure, flow, analytical, temperature, positioning, and controlling. For a list of these offerings, visit our web site at:

www.se.com

Schneider Electric Systems USA, Inc. Global Customer Support
 70 Mechanic Street Inside U.S.: 1-866-746-6477
 Foxboro, MA 02035 Outside U.S.: 1-508-549-2424
 United States of America <https://pasupport.schneider-electric.com>
<http://www.se.com>

Copyright 2020 Schneider Electric Systems USA, Inc. All rights reserved.

The Schneider Electric brand and any trademarks of Schneider Electric SE or its subsidiaries are the property of Schneider Electric SE or its subsidiaries. All other trademarks are the property of their respective owners.

