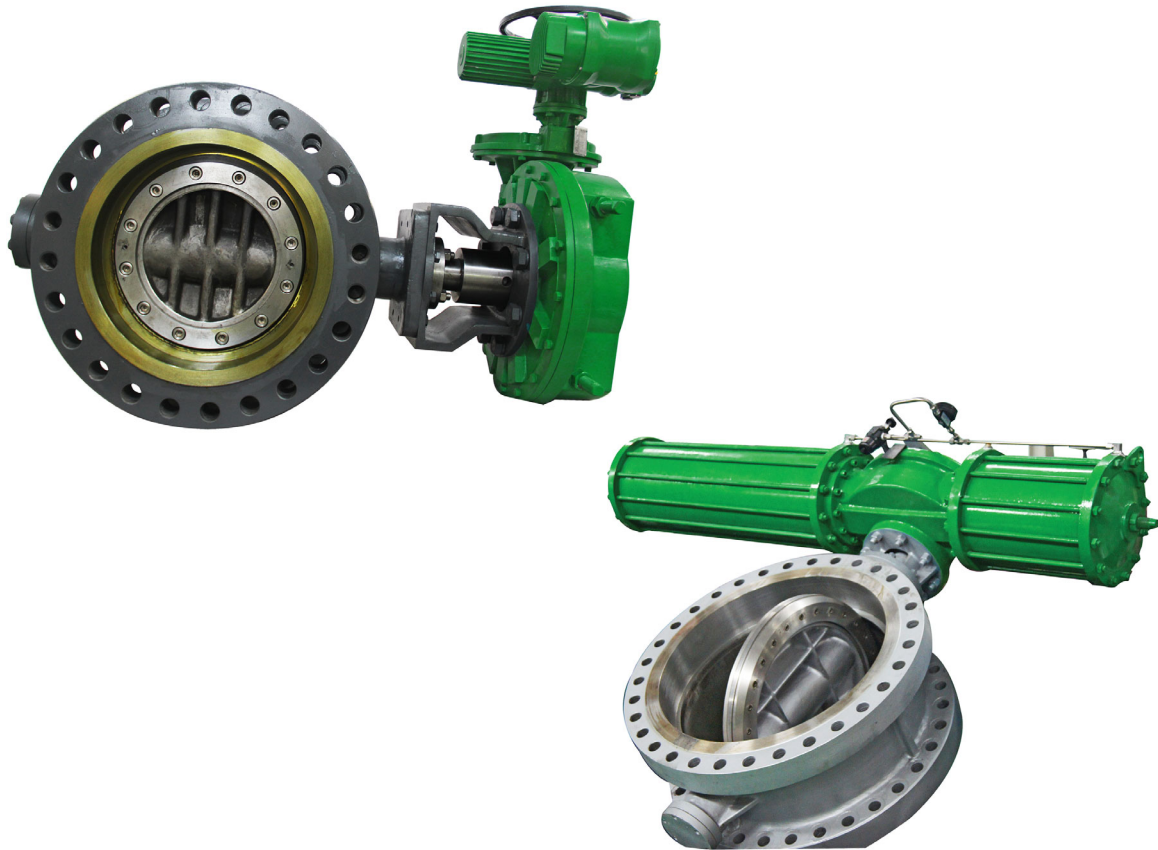


**TVT80 Triple Offset Butterfly Valve**



**FEATURES**

- ▶ Zero leakage metal seated valves<sup>(1)</sup>
- ▶ Metal to metal seating
- ▶ Triple offset, conical design
- ▶ Laminated seal ring
- ▶ Solid metal seal ring
- ▶ Low torque requirements
- ▶ Bidirectional shutoff
- ▶ Inherently firesafe<sup>(2)</sup>
- ▶ Fully adjustable packing

1. Zero leakage with preferred direction of stem upstream and drop tight for bidirectional service, Unless specified otherwise, no visible leakage is allowed through the entire duration of seat tests; this is in accordance with API 598.

2. In accordance with API 607, sixth edition.

*Equipment should be installed, operated, serviced, and maintained only by qualified personnel.*

*No responsibility is assumed by Schneider Electric for any consequences arising from the use of this material.*

KEY COMPONENTS

Figure 1. Triple Offset Butterfly

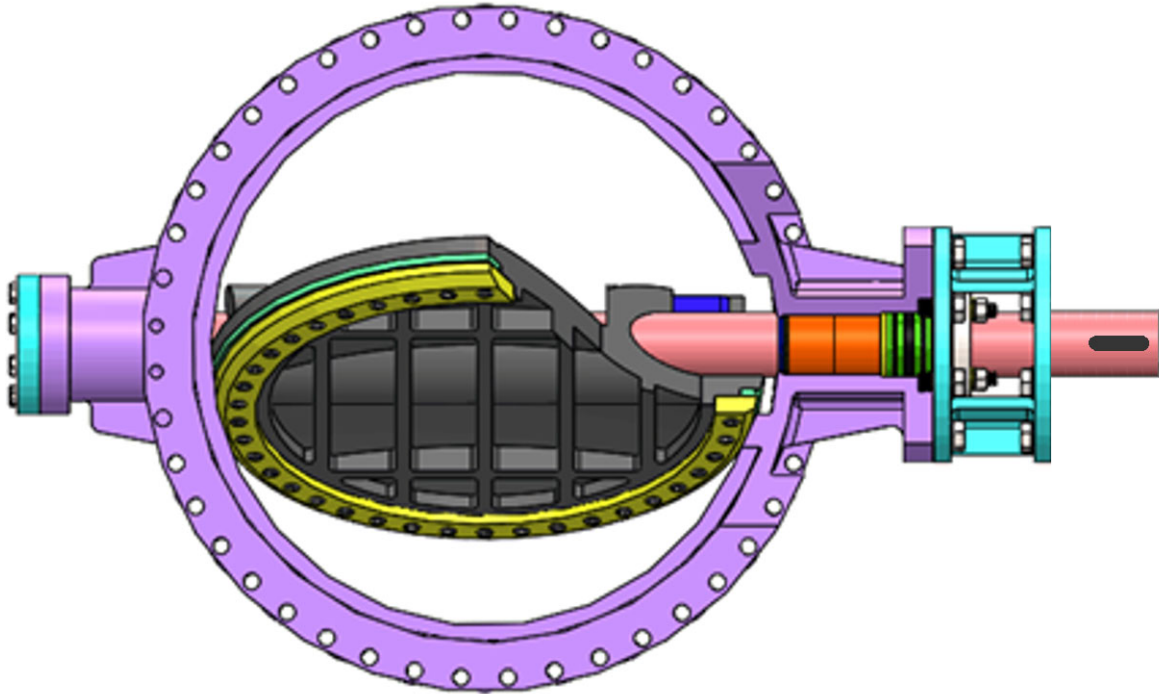


Table 1. Key Components

Size Range	3" - 120" (DN80 - DN3000)
Body Style	Wafer, lug, or double flange
Temperature Range	-45°C to +500°C (-50°F to +932°F)
Pressure Ratings	ASME Class 150 - 1500
Shutoff Rating	Zero leakage - API 598, API 609, ANSI/FCI 70-2 Class V
Body Materials	WCB, CF8, CF8M, other materials upon request
Disc Materials	CF8, CF8M, other materials upon request
Stem Materials	17-4 PH, 420 SS, 316 SS, A479-XM-19
Seal Ring Materials	420 SS, 304 SS, 316 SS, 304/Graphite, 316/Graphite
Face-to-Face Dimensions	Flange types comply with Short Pattern Valves in Category B for API 609 Wafer types comply with Category B for API 609

Figure 2. Carbon Steel and Stainless Steel

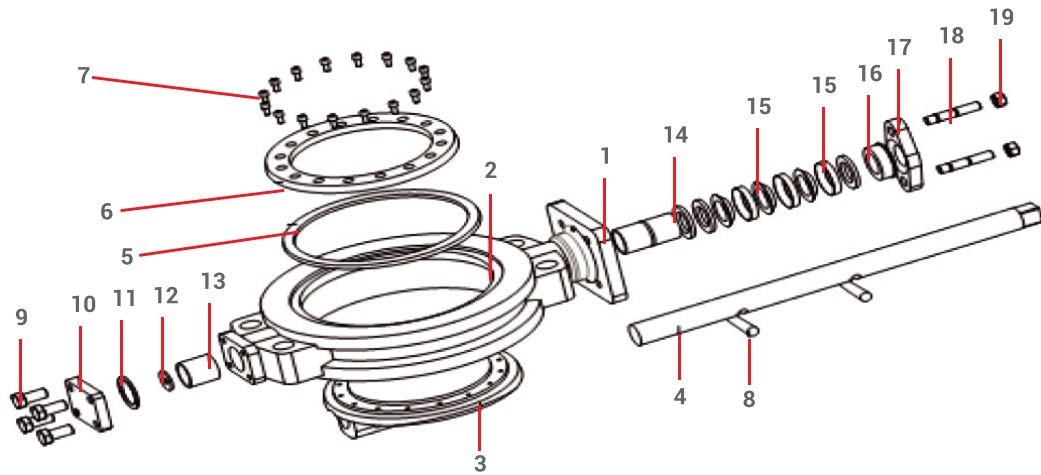


Table 2. Valve Materials

Number	Name	Carbon Steel	Stainless Steel
1	Body	WCB	CF8, CF8M
2	Seat	Integral with Body WCB with 316 Overlay, Option with Hardface Seat	Integral with Body CF8, CF8M, Option with Hardface Seat
3	Disc	CF8, CF8M	
4	Stem	316 SS, 17-4 PH, 420 SS	
5	Seat Assembly	304/Graphite, 316/Graphite (API 598: Zero Leakage)	
	Seat Assembly - Solid	420 (Class V)	304 SS, 316 SS (Class V)
6	Seat Retainer	304 SS, 316 SS	
7	Cap Screws	304 SS, 316 SS	
8	Taper Pin	430 SS, 316 SS	
9	Stud Bolt	B7	B8, B8M
10	Bottom Cover	WCB	CF8, CF8M
11	Gasket	PTFE, Spiral Wound Graphite/300 SS	
12	Thrust Washer	Permanently Lubricated	
13	Bearing - Bottom	Metaloplast, 304 SS NT	
14	Bearing - Top	Metaloplast, 304 SS NT	
15	Stem Seal	PTFE/Graphite	
16	Retainer Ring	420 SS	
17	Gland Retainer	CF8M	
18	Stud	B7	B8, B8M
19	Hex Bolt	2H	8, 8M

**Notes:**

- Optional hardfacing for seat.
- HT = Heat Treated, NT = Nitride; HF = Hardfaced with Stellite® 6 alloy.
- Optional materials are available; contact Global Customer Support.
- Pressure boundary parts are provided to ASTM standards.
- Valve internal materials are supplied to ASTM/JIS/DIN/GB equivalent.
- Compliance to NACE is available to MR0103 or MR01-75/ISO 15156.

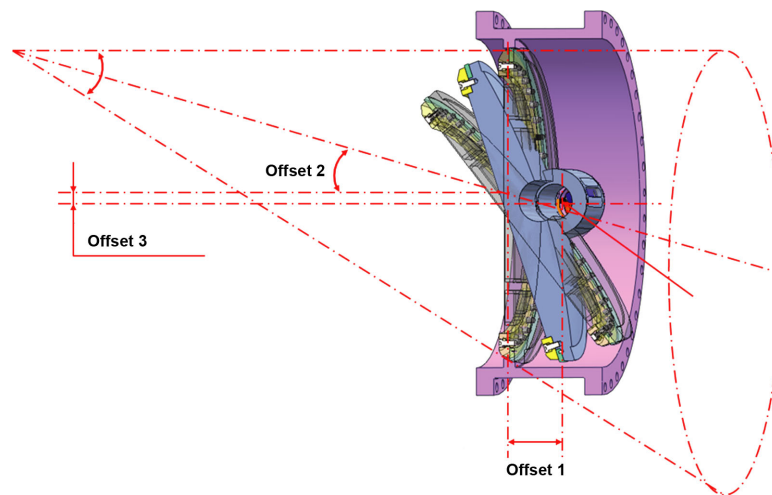
CV VALUES

Table 3. Cv Values and Rotation (a)

Valve Size		Class 150		Class 300		Class 600	
mm	inch	60 degree	90 degree (b)	60 degree	90 degree (b)	60 degree	90 degree (b)
80	3	91	160	85	144	72	88
100	4	185	315	160	280	140	262
150	6	640	960	503	860	385	662
200	8	1100	1722	917	1572	808	1272
250	10	1750	3034	1622	2782	1230	1892
300	12	2400	4071	2193	3761	1744	2921
350	14	3201	6052	3069	5263	2452	3741
400	16	4183	7793	4148	7114	3402	4877
450	18	5282	9695	5010	8594	4078	5848
500	20	6524	12472	6354	10899	5009	7162
600	24	11400	19553	10646	18260	7085	12351
700	28	14280	24485	13281	22780	-	-
800	32	19361	33209	18005	30884	-	-
900	36	25170	43170	22671	40155	-	-
1000	40	32700	56100	-	-	-	-
1200	48	47000	80600	-	-	-	-
1400	56	61000	104500	-	-	-	-
1600	64	81400	139600	-	-	-	-

- a. For Cv values of sizes and ratings not shown, contact Global Customer Support.
- b. 90 degree rotation is recommended for on/off service only.

TRIPLE OFFSET



Notes:

- First Offset: The center line of the disc/seat sealing surfaces is moved forward.
- Second Offset: Location of the shaft with respect to the centerline of the bore is offset.
- Third Offset: Axis of the seat cone angle is offset from the centerline of the valve bore.

DIMENSIONS AND WEIGHTS

Figure 3. Wafer Type without Handwheel

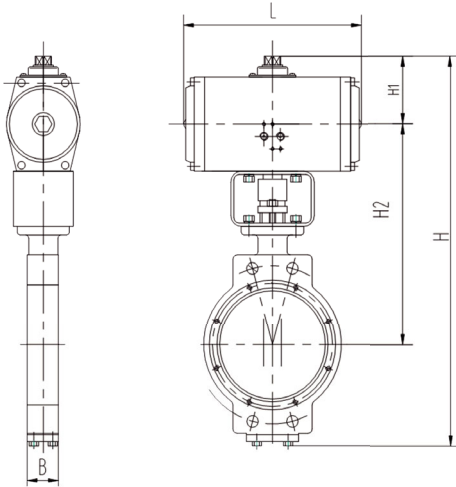


Figure 4. Wafer Type with Handwheel

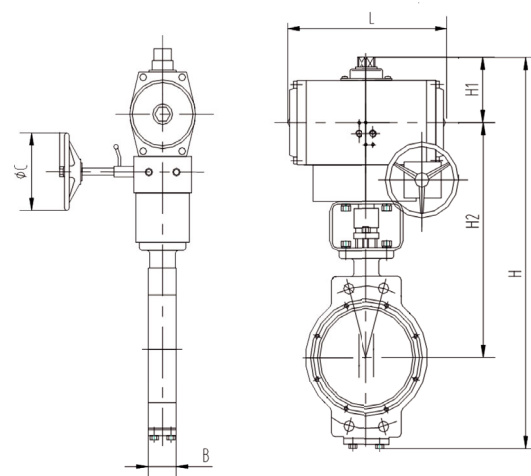


Table 4. Class 150 Wafer Dimensions (a)

Size (b)		B		L		H1		Actuator without Handwheel				Actuator with Handwheel						
								No.	H		H2		H		H2		C	
in	mm	in	mm	mm	in	mm	in		mm	in	mm	in	mm	in	mm	in		
3	80	1.88	48	180	7.1	75	3.0	APR63	459	18.1	249	9.8	530	20.9	340	13.4	140	5.5
				236	9.3	77	3.0	APR80	449	17.7	257	10.1	557	21.9	365	14.4	160	6.3
				272	10.7	102	4.0	APR100	487	19.2	270	10.6	595	23.4	378	14.9	295	11.6
4	100	2.12	54	236	9.3	77	3.0	APR80	510	20.1	298	11.7	618	24.3	406	16.0	160	6.3
				272	10.7	102	4.0	APR100	548	21.6	311	12.2	676	26.6	439	17.3	295	11.6
				340	13.4	111	4.4	APR125	570	22.4	324	12.8	718	28.3	472	18.6	295	11.6
6	150	2.25	57	272	10.7	102	4.0	APR100	627	24.7	358	14.1	755	29.7	486	19.1	295	11.6
				340	13.4	111	4.4	APR125	649	25.6	371	14.6	797	31.4	519	20.4	295	11.6
				452	17.8	136	5.4	APR160	694	27.3	391	15.4	842	33.1	539	21.2	295	11.6
8	200	2.50	64	340	13.4	111	4.4	APR125	722	28.4	410	16.1	870	34.3	558	22.0	295	11.6
				452	17.8	136	5.4	APR160	767	30.2	430	16.9	915	36.0	578	22.8	295	11.6
				570	22.4	150	5.9	APR200	802	31.6	451	17.8	981	38.6	630	24.8	340	13.4
10	250	2.81	71	452	17.8	136	5.4	APR160	870	34.3	487	19.2	1018	40.1	635	25.0	295	11.6
				570	22.4	150	5.9	APR200	905	35.6	508	20.0	1084	42.7	687	27.0	340	13.4
				695	27.4	208	8.2	APR254	995	29.1	540	21.3	1196	47.1	741	29.2	450	17.7
12	300	3.19	81	570	22.4	150	5.9	APR200	1006	39.6	566	22.3	1165	45.9	725	28.5	340	13.4
				695	27.4	208	8.2	APR254	1096	43.1	598	23.5	1277	50.3	779	30.7	450	17.7
				792	31.2	205	8.1	APR300	1116	43.9	621	24.4	1297	51.1	802	31.6	450	17.7
14	350	3.62	92	570	22.4	150	5.9	APR200	1075	42.3	610	24.0	1234	48.6	769	30.3	340	13.4
				695	27.4	208	8.2	APR254	1165	45.9	642	25.3	1346	53.0	823	32.4	450	17.7
				792	31.2	205	8.1	APR300	1185	46.7	655	26.2	1366	53.8	846	33.3	450	17.7
				850	33.5	235	9.3	APR350	1245	49.0	695	27.4	1473	58.0	923	36.3	450	17.7

Table 4. Class 150 Wafer Dimensions (a) (Continued)

Size (b)		B		L		H1		Actuator without Handwheel				Actuator with Handwheel						
in	mm	in	mm	mm	in	mm	in	No.	H		H2		H		H2		C	
									mm	in	mm	in	mm	in	mm	in	mm	in
16	400	4.00	102	695	27.4	208	8.2	APR254	1244	49.0	680	26.8	1425	56.1	861	33.9	450	17.7
				792	31.2	205	8.1	APR300	1264	49.8	703	27.7	1445	56.9	884	34.8	450	17.7
				850	33.5	235	9.3	APR350	1324	52.1	733	28.9	1552	61.1	961	37.8	450	17.7
				960	37.8	305	12.0	APR400-SR	1634	64.3	973	38.3	2006	79.0	1345	53.0	550	21.7
18	450	4.50	114	792	31.2	205	8.1	APR300	1301	51.2	728	28.7	1482	58.3	909	35.8	450	17.7
				850	33.5	235	9.3	APR350	1361	53.6	758	29.8	1589	62.6	986	38.8	450	17.7
				960	37.8	305	12.0	APR400-SR	1671	65.8	998	39.3	2043	80.4	1370	53.9	550	21.7
20	500	5.00	127	792	31.2	205	8.1	APR300	1391	54.8	773	30.4	1572	61.9	954	37.6	450	17.7
				850	33.5	235	9.3	APR350	1451	57.1	803	31.6	1679	66.1	1031	40.6	450	17.7
				960	37.8	305	12.0	APR400-SR	1751	68.9	1033	40.7	2123	83.6	1405	55.3	550	21.7
				1052	41.4	340	13.4	APR450-SR	1811	71.3	1058	41.7	2183	85.9	1430	56.3	550	21.7
24	600	6.06	154	792	31.2	235	9.3	APR350	1649	64.9	927	36.5	1877	73.9	1155	45.5	450	17.7
				672	26.5	305	12.0	APR400-DA	1949	76.7	1157	45.6	2177	85.7	1385	54.5	450	17.7
				960	37.8	340	13.4	APR450-SR	2009	79.1	1182	46.5	2381	93.7	1554	61.2	550	21.7
				1466	57.7	400	15.7	APR530-SRV	2214	87.2	1327	52.2	2700	106.3	1813	71.4	550	21.7

- a. For sizes and ratings not shown, contact Global Customer Support.
- b. Lugged type valves are supplied with the same face-to-face dimensions.

Figure 5. Double Flange Type without Handwheel

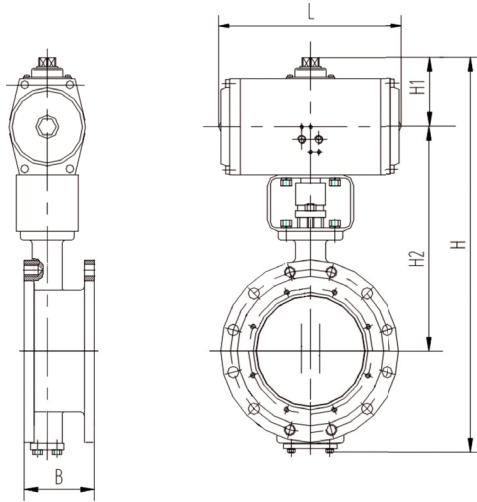


Figure 6. Double Flange Type with Handwheel

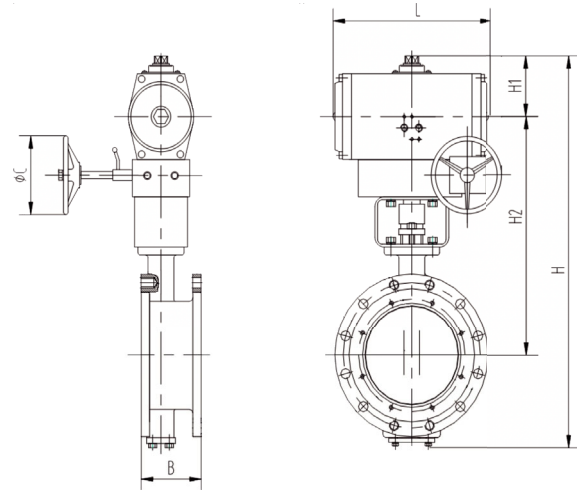


Table 5. Class 150 Double Flange Valve Dimensions (a)

Size (b)		B		L		H1		Actuator without Handwheel				Actuator with Handwheel						
								No.	H		H2		H		H2		C	
in	mm	in	mm	mm	in	mm	in		mm	in	mm	in	mm	in	mm	in		
3	80	4.50	114	180	7.1	75	3.0	APR63	459	18.1	249	9.8	530	20.9	340	13.4	140	5.5
				236	9.3	77	3.0	APR80	449	17.7	257	10.1	557	21.9	365	14.4	160	6.3
				272	10.7	102	4.0	APR100	487	19.2	270	10.6	595	23.4	378	14.9	295	11.6
4	100	5.00	127	236	9.3	77	3.0	APR80	510	20.1	298	11.7	618	24.3	406	16.0	160	6.3
				272	10.7	102	4.0	APR100	548	21.6	311	12.2	676	26.6	439	17.3	295	11.6
				340	13.4	111	4.4	APR125	570	22.4	324	12.8	718	28.3	472	18.6	295	11.6
6	150	5.50	140	272	10.7	102	4.0	APR100	627	24.7	358	14.1	755	29.7	486	19.1	295	11.6
				340	13.4	111	4.4	APR125	649	25.6	371	14.6	797	31.4	519	20.4	295	11.6
				452	17.8	136	5.4	APR160	694	27.3	391	15.4	842	33.1	539	21.2	295	11.6
8	200	6.00	152	340	13.4	111	4.4	APR125	722	28.4	410	16.1	870	34.3	558	22.0	295	11.6
				452	17.8	136	5.4	APR160	767	30.2	430	16.9	915	36.0	578	22.8	295	11.6
				570	22.4	150	5.9	APR200	802	31.6	451	17.8	981	38.6	630	24.8	340	13.4
10	250	6.50	165	452	17.8	136	5.4	APR160	870	34.3	487	19.2	1018	40.1	635	25.0	295	11.6
				570	22.4	150	5.9	APR200	905	35.6	508	20.0	1084	42.7	687	27.0	340	13.4
				695	27.4	208	8.2	APR254	995	39.2	540	21.3	1196	47.1	741	29.2	450	17.7
12	300	7.00	178	570	22.4	150	5.9	APR200	1006	39.6	566	22.3	1165	45.9	725	28.5	340	13.4
				695	27.4	208	8.2	APR254	1096	43.1	598	23.5	1277	50.3	779	30.7	450	17.7
				792	31.2	205	8.1	APR300	1116	43.9	621	24.4	1297	51.1	802	31.6	450	17.7
14	350	7.50	191	570	22.4	150	5.9	APR200	1075	42.3	610	24.0	1234	48.6	769	30.3	340	13.4
				695	27.4	208	8.2	APR254	1165	45.9	642	25.3	1346	53.0	823	32.4	450	17.7
				792	31.2	205	8.1	APR300	1185	46.7	665	26.2	1366	53.8	846	33.3	450	17.7
				850	33.5	235	9.3	APR350	1245	49.0	695	27.4	1473	58.0	923	36.3	450	17.7

Table 5. Class 150 Double Flange Valve Dimensions (a) (Continued)

Size (b)		B		L		H1		Actuator without Handwheel				Actuator with Handwheel						
in	mm	in	mm	mm	in	mm	in	No.	H		H2		H		H2		C	
									mm	in	mm	in	mm	in	mm	in	mm	in
16	400	8.50	216	695	27.4	208	8.2	APR254	1244	49.0	680	26.8	1425	56.1	861	33.9	450	17.7
				792	31.2	205	8.1	APR300	1264	49.8	703	27.7	1445	56.9	884	34.8	450	17.7
				850	33.5	235	9.3	APR350	1324	52.1	733	28.9	1552	61.1	961	37.8	450	17.7
				960	37.8	305	12.0	APR400-SR	1634	64.3	973	38.3	2006	79.0	1345	53.0	550	21.7
18	450	8.75	222	792	31.2	205	8.1	APR300	1301	51.2	728	28.7	1482	58.3	909	35.8	450	17.7
				850	33.5	235	9.3	APR350	1361	53.6	758	29.8	1589	62.6	986	38.8	450	17.7
				960	37.8	305	12.0	APR400-SR	1671	65.8	998	39.3	2043	80.4	1370	53.9	550	21.7
20	500	9.00	229	792	31.2	205	8.1	APR300	1391	54.8	773	30.4	1572	61.9	954	37.6	450	17.7
				850	33.5	235	9.3	APR350	1451	57.1	803	31.6	1679	66.1	1031	40.6	450	17.7
				960	37.8	305	12.0	APR400-SR	1751	68.9	1033	40.7	2123	83.6	1405	55.3	550	21.7
				1052	41.4	340	13.4	APR450-SR	1811	71.3	1058	41.7	2183	85.9	1430	56.3	550	21.7
24	600	10.50	267	792	31.2	235	9.3	APR350	1649	64.9	927	36.5	1877	73.9	1155	45.5	450	17.7
				672	26.5	305	12.0	APR400-DA	1949	76.7	1157	45.6	2177	85.7	1385	54.5	450	17.7
				960	37.8	340	13.4	APR450-SR	2009	79.1	1182	46.5	2381	93.7	1554	61.2	550	21.7
				1466	57.7	400	15.7	APR530-SR	2214	87.2	1327	52.2	2700	106.3	1813	71.4	550	21.7
28	700	11.50	292	672	26.5	305	12.0	APR400-DA	2133	84.0	1228	48.3	2361	93.0	1456	57.3	450	17.7
				724	28.5	340	13.4	APR450-DA	2193	86.3	1253	49.3	2421	95.3	1481	58.3	450	17.7
				960	37.8	340	13.4	APR450-SR	2193	86.3	1253	49.3	2565	101.0	1625	64.0	550	21.7
				1466	57.7	400	15.7	APR530-SR	2398	94.4	1398	55.0	2884	113.5	1884	74.2	550	21.7
				1440	56.7	460	18.1	APR600-SR	2488	98.0	1428	56.2	3061	120.5	2001	78.8	700	27.6
32	800	12.50	318	724	28.5	340	13.4	APR450-DA	2302	90.6	1305	51.4	2530	99.6	1533	60.4	450	17.7
				968	38.1	400	15.7	APR530-DA	2507	98.7	1450	57.1	2993	117.8	1936	76.2	550	21.7
				1466	57.7	400	15.7	APR530-SR	2507	98.7	1450	57.1	2993	117.8	1936	76.2	550	21.7
				1440	56.7	460	18.1	APR600-SR	2597	102.2	1480	58.3	3170	124.8	2053	80.8	700	27.6

- a. For sizes and ratings not shown, contact Global Customer Support.
- b. Flange sizes above 24" comply with API 609 Type B.



Figure 7. Wafer Type without Handwheel

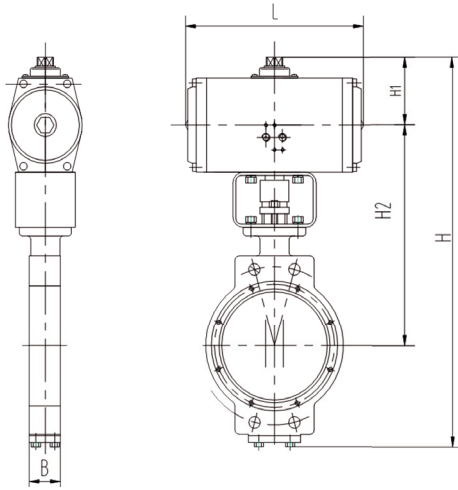


Figure 8. Wafer Type with Handwheel

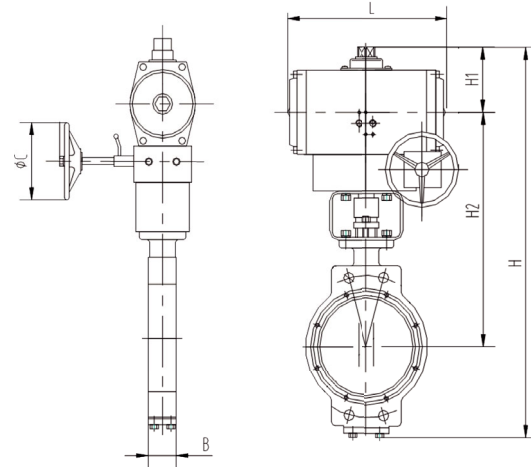


Table 6. Class 300 Wafer Valve Dimensions (a)

Size (b)		B		L		H1		Actuator without Handwheel				Actuator with Handwheel						
								No.	H		H2		H		H2		C	
in	mm	in	mm	mm	in	mm	in		mm	in	mm	in	mm	in	mm	in	mm	in
3	80	1.88	48	236	9.3	77	3.0	APR80	530	20.9	318	12.5	638	25.1	426	16.8	160	6.3
				272	10.7	102	4.0	APR100	568	22.4	331	13.0	696	27.4	459	18.1	295	11.6
				240	9.4	111	4.4	APR125	590	23.2	344	13.5	718	28.3	472	18.6	295	11.6
4	100	2.12	54	272	10.7	102	4.0	APR100	627	24.7	358	14.1	755	29.7	486	19.1	295	11.6
				240	9.4	111	4.4	APR125	649	25.6	371	14.6	777	30.6	499	19.6	295	11.6
				452	17.8	136	5.4	APR160	694	27.3	391	15.4	822	32.4	519	20.4	295	11.6
6	150	2.31	59	240	9.4	111	4.4	APR125	742	29.2	430	16.9	870	34.3	558	22.0	295	11.6
				452	17.8	136	5.4	APR160	787	31.0	450	17.7	915	36.0	578	22.8	295	11.6
				570	22.4	150	5.9	APR200	822	32.4	471	18.5	981	38.6	630	24.8	340	13.4
8	200	2.88	73	452	17.8	136	5.4	APR160	854	33.6	489	19.3	982	38.7	617	24.3	295	11.6
				570	22.4	150	5.9	APR200	889	35.0	510	20.1	1048	41.3	669	26.3	340	13.4
				695	27.4	208	8.2	APR254	979	38.5	542	21.3	1160	45.7	723	28.5	450	17.7
10	250	2.25	83	570	22.4	150	5.9	APR200	987	38.9	564	22.2	1146	45.1	723	28.5	340	13.4
				695	27.4	208	8.2	APR254	1077	42.4	596	23.5	1258	49.5	777	30.6	450	17.7
				792	31.2	205	8.1	APR300	1097	43.2	619	24.4	1278	50.3	800	31.5	450	17.7
12	300	3.62	92	695	27.4	208	8.2	APR254	1161	45.7	642	25.3	1342	52.8	823	32.4	450	17.7
				792	31.2	205	8.1	APR300	1181	46.5	665	26.2	1362	53.6	846	33.3	450	17.7
				850	33.5	235	9.3	APR350	1241	48.9	695	27.4	1469	57.8	923	36.3	450	17.7
				960	37.8	305	12.0	APR400-SR	1551	61.1	935	36.8	1923	75.7	1307	51.5	550	21.7
14	350	4.62	117	792	31.2	205	8.1	APR300	1246	49.1	698	27.5	1427	56.2	879	34.6	450	17.7
				850	33.5	235	9.3	APR350	1306	51.4	728	28.7	1534	60.4	956	37.6	450	17.7
				960	37.8	305	12.0	APR400-SR	1606	63.2	958	37.7	1978	77.9	1330	52.4	550	21.7
				1052	41.4	340	13.4	APR450-SR	1666	65.6	983	38.7	2038	80.2	1355	53.3	550	21.7

Table 6. Class 300 Wafer Valve Dimensions (a) (Continued)

Size (b)		B		L		H1		Actuator without Handwheel				Actuator with Handwheel						
								No.	H		H2		H		H2		C	
in	mm	in	mm	mm	in	mm	in		mm	in	mm	in	mm	in	mm	in	mm	in
16	400	5.25	133	850	33.5	235	9.3	APR350	1399	55.1	775	30.5	1627	64.1	1003	39.5	450	17.7
				672	26.5	305	12.0	APR400-DA	1699	66.9	1005	39.6	1927	75.9	1233	48.5	450	17.7
				960	37.8	305	12.0	APR400-SR	1699	66.9	1005	39.6	2071	81.5	1377	54.2	550	21.7
				1052	41.4	340	13.4	APR450-SR	1759	69.3	1030	40.6	2131	83.9	1402	55.2	550	21.7
				1466	57.7	400	15.7	APR530-SR	1964	77.3	1175	46.3	2450	96.5	1661	65.4	550	21.7
18	450	5.88	149	672	26.5	305	12.0	APR400-DA	1853	73.0	1103	43.4	2081	81.9	1331	52.4	450	17.7
				724	28.5	340	13.4	APR450-DA	1913	75.3	1128	44.4	2141	84.3	1356	53.4	450	17.7
				1052	41.4	340	13.4	APR450-SR	1913	75.3	1128	44.4	2285	90.0	1500	59.1	550	21.7
				1466	57.7	400	15.7	APR530-SR	2118	83.4	1273	50.1	2604	102.5	1759	69.3	550	21.7
20	500	6.25	159	724	28.5	340	13.4	APR450-DA	1963	77.3	1153	45.4	2335	91.9	1525	60.0	450	17.7
				968	38.1	400	15.7	APR530-DA	2168	85.4	1298	51.1	2654	104.5	1784	70.2	550	21.7
				1466	57.7	400	15.7	APR530-SR	2168	85.4	1298	51.1	2654	104.5	1784	70.2	550	21.7
				1440	56.7	460	18.1	APR600-SR	2258	88.9	1328	52.3	2831	111.5	1901	74.8	700	27.6
24	600	7.12	181	968	38.1	400	15.7	APR530-DA	2273	89.5	1348	53.1	2759	108.6	1834	72.2	550	21.7
				1024	40.3	460	18.1	APR600-DA	2363	93.0	1378	54.3	2936	115.6	1951	76.8	700	27.6
				1440	56.7	460	18.1	APR600-SR	2363	93.0	1378	54.3	2936	115.6	1951	76.8	700	27.6
				1128	44.4	485	19.1	APR650-SR	2413	95.0	1403	55.2	2986	117.6	1976	77.8	700	27.6

- a. For sizes and ratings not shown, contact Global Customer Support.
- b. Lugged type valves are supplied with the same face-to-face dimensions.

Figure 9. Double Flange Type without Handwheel

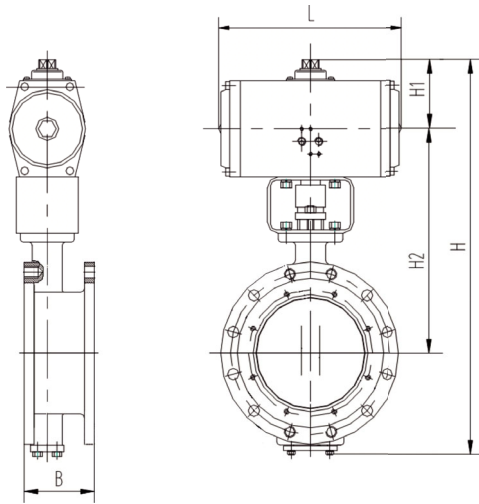


Figure 10. Double Flange Type with Handwheel

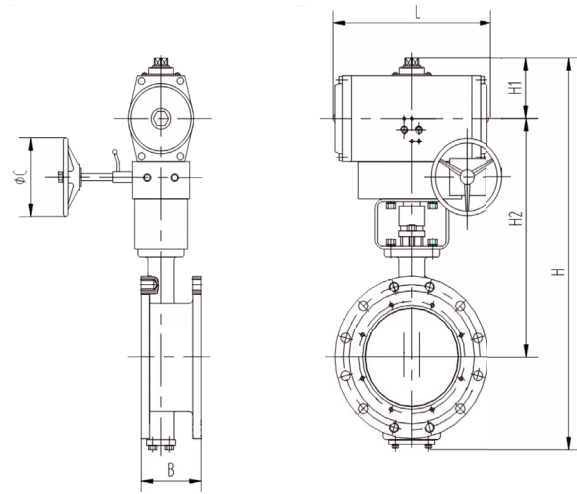


Table 7. Class 300 Double Flange Valve Dimensions (a)

Size		B		L		H1		Actuator without Handwheel				Actuator with Handwheel						
in	mm	in	mm	mm	in	mm	in	No.	H		H2		H		H2		C	
									mm	in	mm	in	mm	in	mm	in	mm	in
3	80	4.50	114	236	9.3	77	3.0	APR80	530	20.9	318	12.5	638	25.1	426	16.8	160	6.3
				272	10.7	102	4.0	APR100	568	22.4	331	13.0	696	27.4	459	18.1	295	11.6
				240	9.4	111	4.4	APR125	590	23.2	344	13.5	718	28.3	472	18.6	295	11.6
4	100	5.00	127	272	10.7	102	4.0	APR100	627	24.7	358	14.1	755	29.7	486	19.1	295	11.6
				240	9.4	111	4.4	APR125	649	25.6	371	14.6	777	30.6	499	19.6	295	11.6
				452	17.8	136	5.4	APR160	694	27.3	391	15.4	822	32.4	519	20.4	295	11.6
6	150	5.50	140	240	9.4	111	4.4	APR125	742	29.2	430	16.9	870	34.3	558	22.0	295	11.6
				452	17.8	136	5.4	APR160	787	31.0	450	17.7	915	36.0	578	22.8	295	11.6
				570	22.4	150	5.9	APR200	822	32.4	471	18.5	981	38.6	630	25.8	340	13.4
8	200	6.00	152	452	17.8	136	5.4	APR160	854	33.6	489	19.3	982	38.7	617	25.3	295	11.6
				570	22.4	150	5.9	APR200	889	35.0	510	20.1	1048	41.3	669	26.3	340	13.4
				695	27.4	208	8.2	APR254	979	38.5	542	21.3	1160	45.7	723	28.5	450	17.7
10	250	6.50	165	570	22.4	150	5.9	APR200	987	38.9	564	22.2	1146	45.1	723	28.5	340	13.4
				695	27.4	208	8.2	APR254	1077	43.4	596	23.5	1258	49.5	777	30.6	450	17.7
				792	31.2	205	8.1	APR300	1097	43.2	619	24.4	1278	50.3	800	31.5	450	17.7
12	300	7.00	178	695	27.4	208	8.2	APR254	1161	45.7	642	25.3	1342	52.8	823	32.4	450	17.7
				792	31.2	205	8.1	APR300	1181	46.5	665	26.2	1362	53.6	846	33.3	450	17.7
				850	33.5	235	9.3	APR350	1241	48.9	695	27.4	1469	57.8	923	36.3	450	17.7
				960	37.8	305	12.0	APR400-SR	1551	61.1	935	36.8	1923	75.7	1307	51.5	550	21.7
14	350	7.50	191	792	31.2	205	8.1	APR300	1246	49.1	698	27.5	1427	56.2	879	34.6	450	17.7
				850	33.5	235	9.3	APR350	1306	51.4	728	28.5	1534	60.4	956	37.6	450	17.7
				960	37.8	305	12.0	APR400-SR	1606	63.2	958	37.5	1978	77.9	1330	52.4	550	21.7
				1052	41.4	340	13.4	APR450-SR	1666	65.6	983	38.7	2038	80.2	1355	53.3	550	21.7

Table 7. Class 300 Double Flange Valve Dimensions (a) (Continued)

Size		B		L		H1		Actuator without Handwheel				Actuator with Handwheel						
in	mm	in	mm	mm	in	mm	in	No.	H		H2		H		H2		C	
									mm	in	mm	in	mm	in	mm	in	mm	in
16	400	8.50	216	850	33.5	235	9.3	APR350	1399	55.1	775	30.5	1627	64.1	1003	39.5	450	17.7
				672	26.5	305	12.0	APR400-DA	1699	66.9	1005	39.6	1927	75.9	1233	48.5	450	17.7
				960	37.8	305	12.0	APR400-SR	1699	66.9	1005	39.6	2071	81.5	1377	54.2	550	21.7
				1052	41.4	340	13.4	APR450-SR	1759	69.3	1030	40.6	2131	83.9	1402	55.2	550	21.7
				1466	57.7	400	15.7	APR530-SR	1964	77.3	1175	46.3	2450	96.5	1661	65.4	550	21.7
18	450	8.75	222	672	26.5	305	12.0	APR400-DA	1853	73.0	1103	43.4	2081	81.9	1331	52.4	450	17.7
				724	28.5	340	13.4	APR450-DA	1913	75.3	1128	44.4	2141	84.3	1356	53.4	450	17.7
				1052	41.4	340	13.4	APR450-SR	1913	75.3	1128	44.4	2285	90.0	1500	59.1	550	21.7
				1466	57.7	400	15.7	APR530-SR	2118	83.4	1273	50.1	2604	102.5	1759	69.3	550	21.7
20	500	9.00	229	724	28.5	340	13.4	APR450-DA	1963	77.3	1153	45.4	2335	91.9	1525	60.0	450	17.7
				968	38.1	400	15.7	APR530-DA	2168	85.4	1298	51.1	2654	104.5	1784	70.2	550	21.7
				1466	57.7	400	15.7	APR530-SR	2168	85.4	1298	51.1	2654	104.5	1784	70.2	550	21.7
				1440	56.7	460	18.1	APR600-SR	2258	88.9	1328	52.3	2831	111.5	1901	74.8	700	27.6
24	600	10.50	267	968	38.1	400	15.7	APR530-DA	2273	89.5	1348	53.1	2759	108.6	1834	72.2	550	21.7
				1024	40.3	460	18.1	APR600-DA	2363	93.0	1378	54.3	2936	115.6	1951	76.8	700	27.6
				1440	56.7	460	18.1	APR600-SR	2363	93.0	1378	54.3	2936	115.6	1951	76.8	700	27.6
				1128	44.4	485	19.1	APR650-SR	2413	95.0	1403	55.2	2986	117.6	1976	77.8	700	27.6

a. For sizes and ratings not shown, contact Global Customer Support.

Figure 11. Wafer Type, Class 150 and 300

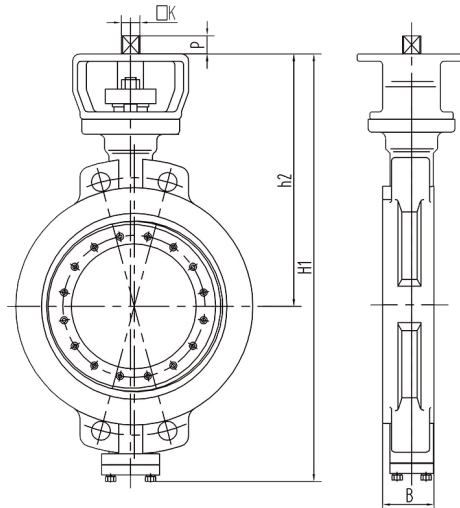


Table 8. Wafer Valve, Class 150 and 300 Actuator Interface Dimensions (a)

Valve Size (b)		Class	B		h2		H1		K		P		ISO 5211 Type	Weight	
mm	in		mm	in	mm	in	mm	in	mm	in	mm	in		kg	lb
80	3	150	48	1.88	164	6.5	279	11.0	11	0.43	12	0.5	F07	15	33
100	4	150	54	2.12	225	8.9	360	14.2	14	0.55	15	0.6	F10	18.5	41
150	6	150	57	2.25	243.5	9.6	410	16.1	17	0.67	18	0.7	F12	22.8	50
200	8	150	64	2.50	291	11.5	487	19.2	22	0.87	22	0.9	F14	36.7	81
250	10	150	71	2.81	348	13.7	590	23.2	24	0.94	27	1.1	F16	54.5	120
300	12	150	81	3.19	386	15.2	627	24.7	27	1.06	36	1.4	F16	78	172
350	14	150	92	3.62	430	16.9	745	29.3	32	1.26	35	1.4	F16	100	220
400	16	150	102	4.00	468	18.4	823.4	32.4	36	1.42	45	1.8	F16	132	290
450	18	150	114	4.50	683	26.9	1051	41.4	36	1.42	45	1.8	F16	167	367
500	20	150	127	5.00	718	28.3	1131	44.5	42	1.65	45	1.8	F16	210	462
600	24	150	154	6.06	802	31.6	1294	50.9	46	1.81	47	1.9	F16	304	669
80	3	300	48	1.88	164	6.5	279	11.0	11	0.43	12	0.5	F07	15	33
100	4	300	54	2.12	240.5	9.5	398.5	15.7	17	0.67	18	0.71	F12	19.8	44
150	6	300	59	2.31	282	11.1	491.5	19.4	22	0.87	22	0.87	F14	27.7	61
200	8	300	73	2.87	330	13.0	554	21.8	24	0.94	27	1.06	F16	72.5	160
250	10	300	83	3.25	384	15.1	656.6	25.9	32	1.26	35	1.38	F16	110	242
300	12	300	92	3.62	430	16.9	741	29.2	36	1.42	45	1.77	F16	246	541
350	14	300	117	4.59	643	25.3	986	38.8	42	1.65	45	1.77	F16	247	543
400'	16	300	133	5.25	690	27.2	1084	42.7	46	1.81	48	1.89	F16	304	669

- a. For sizes and ratings not shown, contact Global Customer Support.
- b. Lugged type valves with the same face-to-face can be supplied.

Figure 12. Wafer Type, Class 300

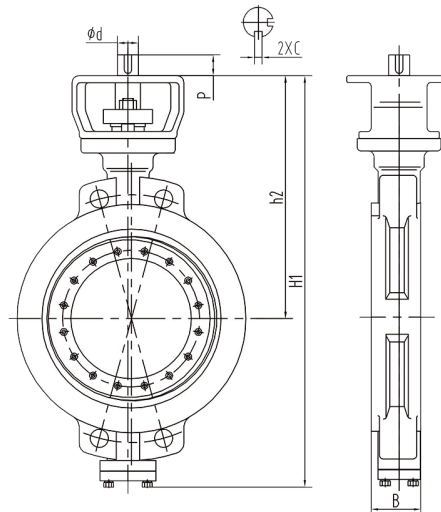


Table 9. Wafer Valve, Class 300 Actuator Interface Dimensions (a)

Valve Size (b)		Class	B		h2		H1		d		P		C		ISO 5211 Type	Weight	
mm	in		mm	in	mm	in	mm	in	mm	in	mm	in	mm	in		kg	lb
450	18	300	149	5.88	748	29.4	1299	51.1	72	2.83	100	3.9	20	0.79	F25	574	1263
500	20	300	159	6.25	773	30.4	1275	50.2	72	2.83	100	3.9	20	0.79	F25	705	1551
600	24	300	181	7.12	821	32.3	1410	55.5	100	3.94	145	5.7	28	1.10	F30	1109	2440

- a. For sizes and ratings not shown, contact Global Customer Support.
- b. Lugged type valves with the same face-to-face can be supplied.

Figure 13. Double Flange Type, Class 150, 300, and 600

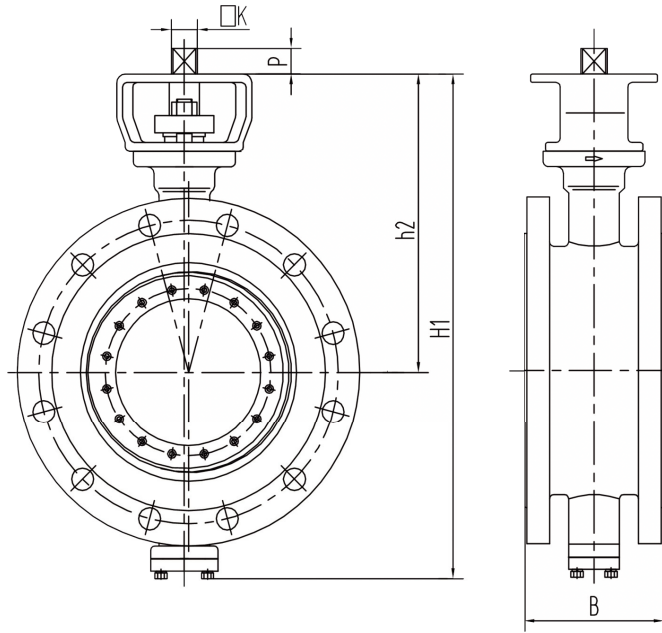


Table 10. Double Flange Type, Class 150, 300, and 600 Actuator Interface Dimensions (a)

Size		Class	B		h2		H1		K		P		ISO 5211 Type	Weight	
mm	in		mm	in	mm	in	mm	in	mm	in	mm	in		kg	lb
80	3	150	114	4.50	164	6.5	279	11.0	11	0.43	12	0.5	F07	15	33
100	4	150	127	5.00	225	8.9	360	14.2	14	0.55	15	0.6	F10	18.5	41
150	6	150	140	5.50	243.5	9.6	410	16.1	17	0.67	18	0.7	F12	22.8	50
200	8	150	152	6.00	291	11.5	487	19.2	22	0.87	22	0.9	F14	36.7	81
250	10	150	165	6.50	348	13.7	590	23.2	24	0.94	27	1.1	F16	54.5	120
300	12	150	178	7.00	386	15.2	627	24.7	27	1.06	36	1.4	F16	78	172
350	14	150	191	7.50	430	16.9	745	29.3	32	1.26	35	1.4	F16	100	220
400	16	150	216	8.50	468	18.4	823.4	32.4	36	1.42	45	1.8	F16	132	290
450	18	150	222	8.75	683	26.9	1051	41.4	36	1.42	45	1.8	F16	167	367
500	20	150	229	9.00	718	28.3	1131	44.5	42	1.65	45	1.8	F16	210	462
600	24	150	267	10.50	802	31.6	1294	50.9	46	1.81	47	1.9	F16	304	669
100	4	300	127	5.00	240.5	9.5	398.5	15.7	17	0.67	18	0.7	F12	19.8	44
150	6	300	140	5.50	282	11.1	491.5	19.4	22	0.87	22	0.9	F14	27.7	61
200	8	300	152	6.00	330	13.0	554	21.8	24	0.94	27	1.1	F16	72.5	160
250	10	300	165	6.50	384	15.1	656.6	25.9	32	1.26	35	1.4	F16	110	242
300	12	300	178	7.00	430	16.9	741	29.2	36	1.42	45	1.8	F16	246	541
350	14	300	191	7.50	643	25.3	986	38.8	42	1.65	45	1.8	F16	247	543
400	16	300	216	8.50	690	27.2	1084	42.7	46	1.81	48	1.9	F16	304	669
150	6	600	210	8.25	452	17.8	732	28.8	27	1.06	36	1.42	F14	235	517
200	8	600	230	9.25	471	18.5	810	31.9	36	1.42	45	1.77	F16	367	807

a. For sizes and ratings not shown, contact Global Customer Support.

Figure 14. Double Flange Type, Class 150, 300, and 600

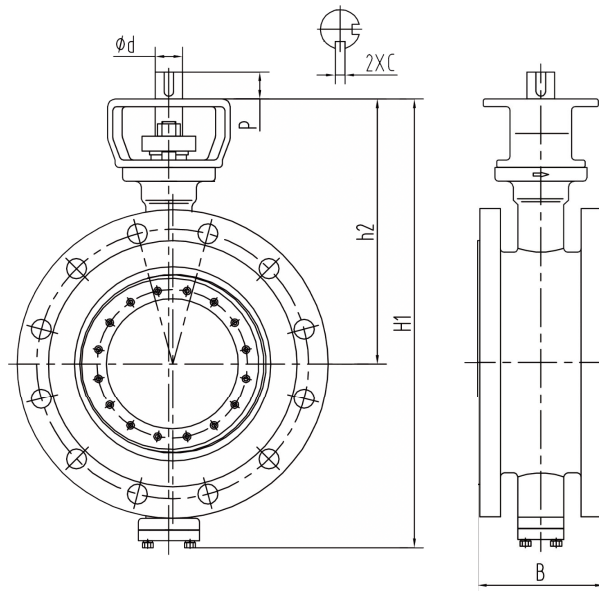


Table 11. Double Flange Type, Class 150, 300, and 600 Actuator Interface Dimensions (a)

Size (b)		Class	B		h2		H1		d		P		C		ISO 5211 Type	Weight	
mm	in		mm	in	mm	in	mm	in	mm	in	mm	in	mm	in		kg	lb
700	28	150	292	11.50	783	30.8	1384	54.5	75	2.95	90	3.5	22	0.87	F25	511	1124
800	32	150	318	12.50	835	32.9	1499	59.0	90	3.54	90	3.5	25	0.98	F25	715	1573
900	36	150	330	13.00	1042	41.0	1784	70.2	100	3.94	140	5.5	28	1.10	F30	1751	3852
1000	40	150	410	16.13	1111	43.7	1943	76.5	110	4.33	140	5.5	32	1.26	F30	2238	4924
1200	48	150	470	18.50	1224	48.2	2168	85.4	130	5.12	180	7.1	36	1.42	F40	2857	6285
1400	56	150	530	20.88	1329	52.3	2378	93.6	140	5.51	180	7.1	36	1.42	F40	3750	8250
1600	64	150	600	23.63	1482	58.3	2702	106.4	170	6.69	190	7.5	45	1.77	F48	7152	15734
1800	72	150	670	26.38	1582	62.3	2911	114.6	190	7.48	208	8.2	45	1.77	F48	10275	22605
450	18	300	222	8.75	748	29.4	1129	48.4	72	2.93	100	3.9	20	0.79	F25	923	2031
500	20	300	229	9.00	773	30.4	1275	50.2	72	2.83	100	3.9	20	0.79	F25	1207	2655
600	24	300	267	10.50	821	32.3	1410	55.5	100	3.94	145	5.7	28	1.10	F30	1489	3276
250	10	600	250	9.84	550	21.7	913	35.9	54	2.13	105	4.1	16	0.63	F16	423	931
300	12	600	270	10.63	580	22.8	975	38.4	60	2.36	115	4.5	18	0.71	F25	594	1307
350	14	600	290	11.42	630	24.8	1066	42.0	75	2.95	119	4.7	22	0.87	F25	870	1914
400	16	600	310	12.20	665	26.2	1148	45.2	90	3.54	145	5.7	25	0.98	F30	1149	2528
450	18	600	330	12.99	802	31.6	1331	52.4	100	3.94	145	5.7	28	1.10	F30	1393	3065
500	20	600	350	13.78	842	33.1	1415	55.7	110	4.33	146	5.7	32	1.26	F35	1905	4191
600	24	600	390	15.35	891	35.1	1735	68.3	110	4.33	146	5.7	32	1.26	F35	2152	4734
700	28	600	430	16.93	1015	40.0	1772	69.8	130	5.12	185	7.3	36	1.42	F40	3713	8169
800	32	600	470	18.50	885	30.5	1832	72.1	140	5.51	185	7.3	36	1.42	F40	4651	10232
900	36	600	510	20.10	1160	45.7	2057	81.0	150	5.91	210	8.3	40	1.57	F40	5869	12912

- a. For sizes and ratings not shown, contact Global Customer Support.
- b. Flange sizes above 24" comply with API 609 Type B.



Table 12. Class 150 Wafer Type Weights (a)

No.	Valve Size, inch/mm												
	3"/ 80	4"/ 100	6"/ 150	8"/ 200	10"/ 250	12"/ 250	14"/ 350	16"/ 400	18"/ 450	20"/ 500	24"/ 600	28"/ 700	32"/ 800
	kg/lb	kg/lb	kg/lb	kg/lb	kg/lb	kg/lb	kg/lb	kg/lb	kg/lb	kg/lb	kg/lb	kg/lb	kg/lb
APR63-DA	17/37	/	/	/	/	/	/	/	/	/	/	/	/
APR80-DA	18/40	23/51	/	/	/	/	/	/	/	/	/	/	/
APR80-SR	19/42	/	/	/	/	/	/	/	/	/	/	/	/
APR100-DA	20/44	24/53	29/64	/	/	/	/	/	/	/	/	/	/
APR100-SR	21/46	25/55	/	/	/	/	/	/	/	/	/	/	/
APR125-DA	/	/	36/79	49/108	/	/	/	/	/	/	/	/	/
APR125-SR	/	34/75	39/86	/	/	/	/	/	/	/	/	/	/
APR160-DA	/	/	/	61/134	77/169	/	/	/	/	/	/	/	/
APR160-SR	/	/	51/112	65/143	/	/	/	/	/	/	/	/	/
APR200-DA	/	/	/	/	105/231	126/277	148/326	/	/	/	/	/	/
APR200-SR	/	/	/	99/218	115/253	/	/	/	/	/	/	/	/
APR254-DA	/	/	/	/	/	168/370	190/418	218/480	/	/	/	/	/
APR254-SR	/	/	/	/	163/359	184/405	/	/	/	/	/	/	/
APR300-DA	/	/	/	/	/	/	/	228/502	258/568	302/664	/	/	/
APR300-SR	/	/	/	/	/	200/440	221/486	/	/	/	/	/	/
APR350-DA	/	/	/	/	/	/	/	/	295/649	338/744	432/950	/	/
APR350-SR	/	/	/	/	/	/	260/572	288/634	319/702	/	/	/	/
APR400-DA	/	/	/	/	/	/	/	/	/	/	638/1404	847/1863	/
APR400-SR	/	/	/	/	/	/	/	542/1190	542/1190	572/1258	/	/	/
APR450-DA	/	/	/	/	/	/	/	/	/	/	/	941/2070	1100/2420
APR450-SR	/	/	/	/	/	/	/	/	/	747/1643	842/1852	1051/2312	/
APR530-DA	/	/	/	/	/	/	/	/	/	/	/	/	1507/3315
APR530-SR	/	/	/	/	/	/	/	/	/	/	1293/2843	1502/3304	1661/3654
APR600-SR	/	/	/	/	/	/	/	/	/	/	/	1711/3764	1870/4114

a. For sizes, ratings, and actuators not shown, contact Global Customer Support.

Table 13. Class 150 Double Flange Type Weights (a)

No.	Valve Size, inch/mm												
	3"/ 80	4"/ 100	6"/ 150	8"/ 200	10"/ 250	12"/ 250	14"/ 350	16"/ 400	18"/ 450	20"/ 500	24"/ 600	28"/ 700	32"/ 800
	kg/lb	kg/lb	kg/lb	kg/lb	kg/lb	kg/lb	kg/lb	kg/lb	kg/lb	kg/lb	kg/lb	kg/lb	kg/lb
APR63-DA	25/55	/	/	/	/	/	/	/	/	/	/	/	/
APR80-DA	26/57	35/77	/	/	/	/	/	/	/	/	/	/	/
APR80-SR	26/57	/	/	/	/	/	/	/	/	/	/	/	/
APR100-DA	27/59	36/79	43/95	/	/	/	/	/	/	/	/	/	/
APR100-SR	29/64	37/81	/	/	/	/	/	/	/	/	/	/	/
APR125-DA	/	/	50/110	81/178	/	/	/	/	/	/	/	/	/
APR125-SR	/	/	53/117	/	/	/	/	/	/	/	/	/	/
APR160-DA	/	/	/	92/202	118/260	/	/	/	/	/	/	/	/
APR160-SR	/	/	65/143	96/211	/	/	/	/	/	/	/	/	/
APR200-DA	/	/	/	/	148/325	187/411	226/497	/	/	/	/	/	/
APR200-SR	/	/	/	130/286	156/343	/	/	/	/	/	/	/	/
APR254-DA	/	/	/	/	/	229/504	268/590	324/713	/	/	/	/	/
APR254-SR	/	/	/	/	204/449	246/541	/	/	/	/	/	/	/
APR300-DA	/	/	/	/	/	/	/	334/735	381/838	440/968	/	/	/
APR300-SR	/	/	/	/	/	261/574	299/658	/	/	/	/	/	/
APR350-DA	/	/	/	/	/	/	/	/	418/920	477/1049	637/1401	/	/
APR350-SR	/	/	/	/	/	/	338/744	394/867	442/972	/	/	/	/
APR400-DA	/	/	/	/	/	/	/	/	/	/	842/1852	937/2061	/
APR400-SR	/	/	/	/	/	/	/	647/1463	695/1529	754/1659	/	/	/
APR450-DA	/	/	/	/	/	/	/	/	/	/	/	1030/2266	1164/2561
APR450-SR	/	/	/	/	/	/	/	/	/	886/1949	1046/2301	1140/2580	/
APR530-DA	/	/	/	/	/	/	/	/	/	/	/	/	1571/3456
APR530-SR	/	/	/	/	/	/	/	/	/	/	1497/3293	1591/3500	1725/3795
APR600-SR	/	/	/	/	/	/	/	/	/	/	/	1800/3960	1934/4255

a. For sizes, ratings, and actuators not shown, contact Global Customer Support.

Table 14. Class 300 Wafer Type Weights (a)

No.	Valve Size, inch/mm										
	3"/ 80	4"/ 100	6"/ 150	8"/ 200	10"/ 250	12"/ 250	14"/ 350	16"/ 400	18"/ 450	20"/ 500	24"/ 600
	kg/lb	kg/lb	kg/lb	kg/lb	kg/lb	kg/lb	kg/lb	kg/lb	kg/lb	kg/lb	kg/lb
APR80-DA	22/48	/	/	/	/	/	/	/	/	/	/
APR100-DA	24/53	26/57	/	/	/	/	/	/	/	/	/
APR100-SR	25/55	/	/	/	/	/	/	/	/	/	/
APR125-DA	/	36/79	45/99	/	/	/	/	/	/	/	/
APR125-SR	34/75	35/77	/	/	/	/	/	/	/	/	/
APR160-DA	/	/	57/125	74/163	/	/	/	/	/	/	/
APR160-SR	/	51/112	61/154	/	/	/	/	/	/	/	/
APR200-DA	/	/	/	102/224	123/271	/	/	/	/	/	/
APR200-SR	/	/	95/209	112/246	/	/	/	/	/	/	/
APR254-DA	/	/	/	/	165/363	199/438	/	/	/	/	/
APR254-SR	/	/	/	160/352	181/398	/	/	/	/	/	/
APR300-DA	/	/	/	/	/	210/462	342/752	/	/	/	/
APR300-SR	/	/	/	/	197/433	231/508	/	/	/	/	/
APR350-DA	/	/	/	/	/	/	378/832	432/950	/	/	/
APR350-SR	/	/	/	/	/	270/594	402/884	/	/	/	/
APR400-DA	/	/	/	/	/	/	/	637/1401	736/1619	/	/
APR400-SR	/	/	/	/	/	/	655/1441	709/1560	/	/	/
APR450-DA	/	/	/	/	/	/	/	/	830/1826	880/1936	/
APR450-SR	/	/	/	/	/	/	/	841/1850	940/2068	/	/
APR530-DA	/	/	/	/	/	/	/	/	/	1287/2831	1409/3100
APR530-SR	/	/	/	/	/	/	/	1292/2842	1391/3060	1441/3170	/
APR600-DA	/	/	/	/	/	/	/	/	/	/	1552/3414
APR600-SR	/	/	/	/	/	/	/	/	/	1650/3630	1772/3898
APR650-SR	/	/	/	/	/	/	/	/	/	/	2102/4624

a. For sizes, ratings, and actuators not shown, contact Global Customer Support.

Table 15. Class 300 Double Flange Type Weights (a)

No.	Valve Size, inch/mm										
	3"/ 80	4"/ 100	6"/ 150	8"/ 200	10"/ 250	12"/ 250	14"/ 350	16"/ 400	18"/ 450	20"/ 500	24"/ 600
	kg/lb	kg/lb	kg/lb	kg/lb	kg/lb	kg/lb	kg/lb	kg/lb	kg/lb	kg/lb	kg/lb
APR80-DA	34/75	/	/	/	/	/	/	/	/	/	/
APR100-DA	36/79	45/99	/	/	/	/	/	/	/	/	/
APR100-SR	37/81	/	/	/	/	/	/	/	/	/	/
APR125-DA	/	52/115	74/163	/	/	/	/	/	/	/	/
APR125-SR	46/101	55/121	/	/	/	/	/	/	/	/	/
APR160-DA	/	/	82/180	115/253	/	/	/	/	/	/	/
APR160-SR	/	67/147	85/187	/	/	/	/	/	/	/	/
APR200-DA	/	/	/	143/315	185/407	/	/	/	/	/	/
APR200-SR	/	/	123/271	153/337	/	/	/	/	/	/	/
APR254-DA	/	/	/	/	227/499	295/649	/	/	/	/	/
APR254-SR	/	/	/	201/442	244/537	/	/	/	/	/	/
APR300-DA	/	/	/	/	/	305/671	483/1063	/	/	/	/
APR300-SR	/	/	/	/	259/570	327/719	/	/	/	/	/
APR350-DA	/	/	/	/	/	/	519/1142	624/1373	/	/	/
APR350-SR	/	/	/	/	/	366/805	543/1195	/	/	/	/
APR400-DA	/	/	/	/	/	/	/	830/1826	995/2189	/	/
APR400-SR	/	/	/	/	/	/	796/1751	901/1982	/	/	/
APR450-DA	/	/	/	/	/	/	/	/	1088/2394	1178/2592	/
APR450-SR	/	/	/	/	/	/	/	1033/2273	1198/2636	/	/
APR530-DA	/	/	/	/	/	/	/	/	/	1585/3487	1789/3936
APR530-SR	/	/	/	/	/	/	/	1484/3265	1649/3628	1739/3826	/
APR600-DA	/	/	/	/	/	/	/	/	/	/	1932/4250
APR600-SR	/	/	/	/	/	/	/	/	/	1948/4286	2152/4734
APR650-SR	/	/	/	/	/	/	/	/	/	/	2482/5460

a. For sizes, ratings, and actuators not shown, contact Global Customer Support.

NOTES





### ADDITIONAL PRODUCTS

These product lines offer a broad range of measurement and instrument products, including solutions for pressure, flow, analytical, temperature, positioning, and controlling. For a list of these offerings, visit our web site at:

[www.se.com](http://www.se.com)

Schneider Electric Systems USA, Inc. Global Customer Support  
70 Mechanic Street Inside U.S.: 1-866-746-6477  
Foxboro, MA 02035 Outside U.S.: 1-508-549-2424  
United States of America <https://pasupport.schneider-electric.com>  
<http://www.se.com>

Copyright 2020 Schneider Electric Systems USA, Inc. All rights reserved.

The Schneider Electric brand and any trademarks of Schneider Electric SE or its subsidiaries are the property of Schneider Electric SE or its subsidiaries. All other trademarks are the property of their respective owners.

